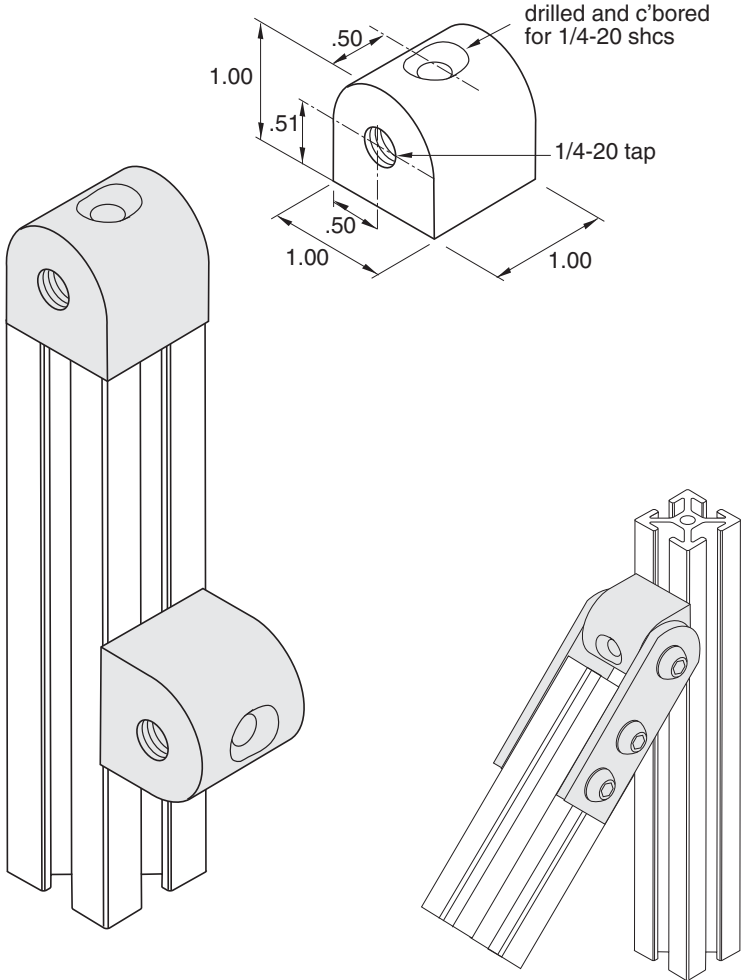


## 11-10



1/4" SLOTS

Recommended Hardware  
(1) 11-224 SHCS  
(1) 11-210 T-nut

Assembled  
(1) 11-10  
(2) 11-11

Material - Aluminum  
Finish - Clear Anodize