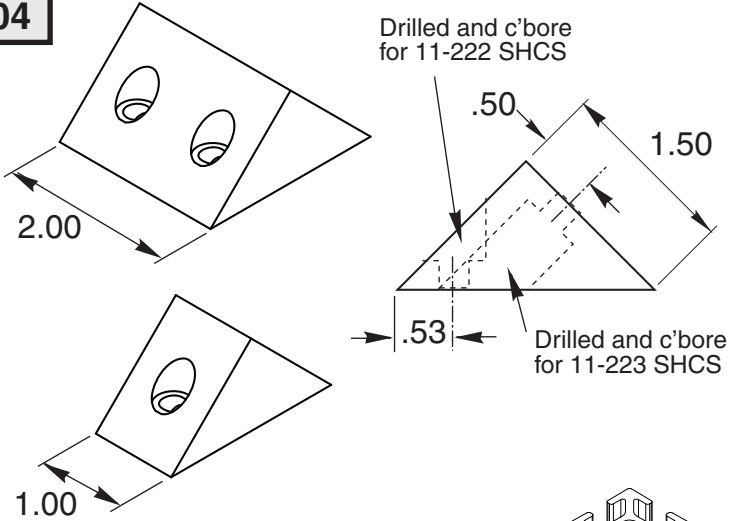


Angle Blocks



11-103
11-104

11-104



11-103

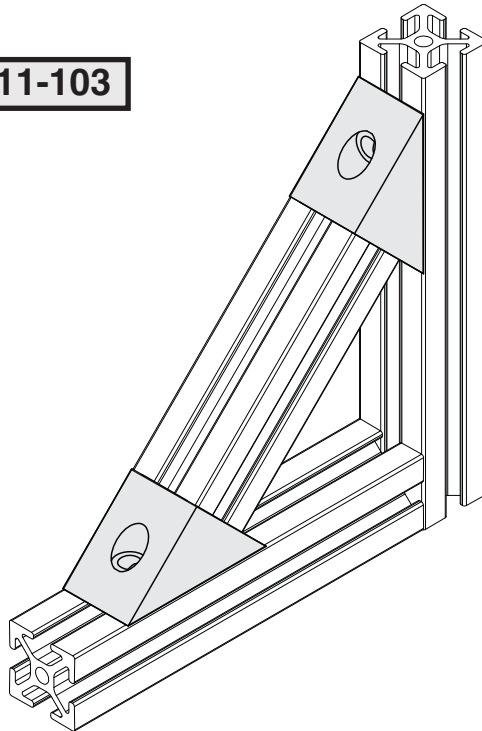
Recommended Hardware

11-103

- (1) 11-222 SHCS
- (1) 11-223 SHCS
- (1) 11-210 T-nut

11-104

- (2) 11-222 SHCS
- (2) 11-223 SHCS
- (2) 11-210 T-nut



Material - Aluminum
 Finish - Clear Anodize

1/4" SLOTS