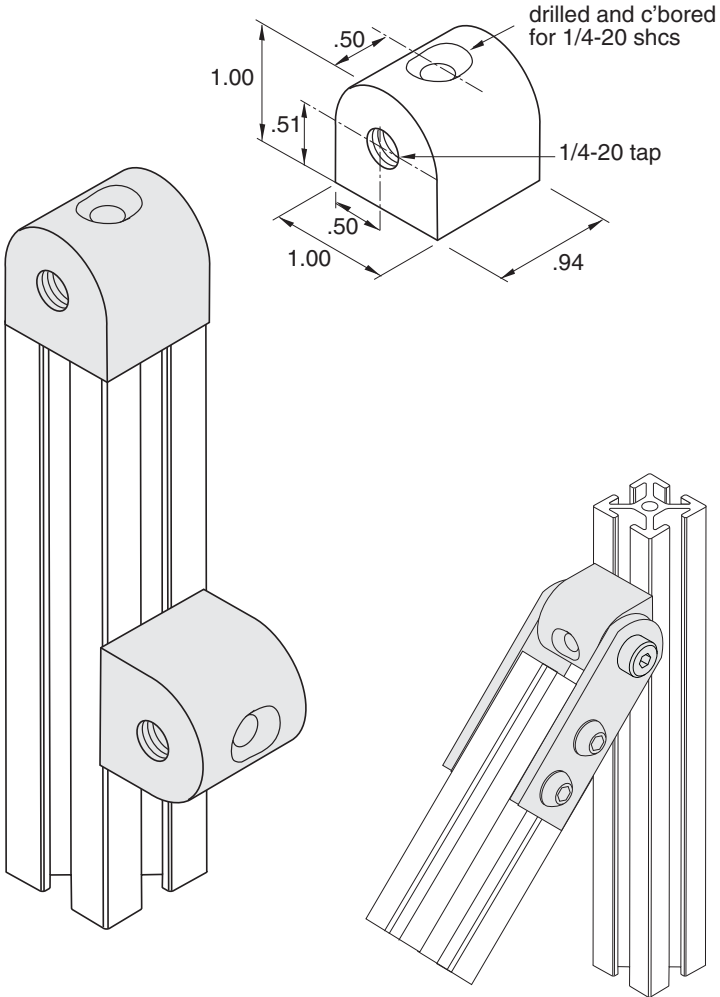


Pivoting Corner Post



11-109 use with 11-105 or 11-107



1/4" SLOTS

Recommended Hardware
(1) 11-224 BHCS
(1) 11-210 T-nut

Assembled
(2) 11-105
(1) 11-109
(2) 11-204

Material - Aluminum
Finish - Clear Anodize