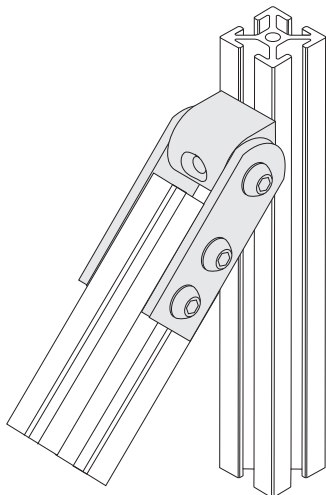


Assembled
 (1) 11-10
 (2) 11-11



Recommended
 Hardware
 (3) 11-231 BHCS
 (2) 11-210 T-nut

Material - Aluminum
 Finish - Clear Anodize

1/4" SLOTS