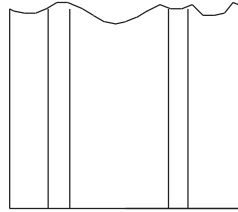


Swivel Plate Caster w/brake



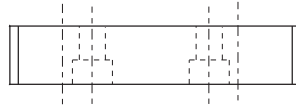
11-110
11-111
11-112

EX-22 uses caster plate 11-50



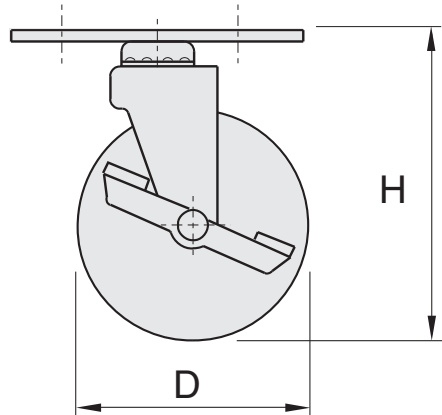
EX-22

The casters have (4) .343 dia mtg. holes on 1 3/4" x 3.00" centers



11-50

Recommended Hardware
(4) EF-12-.5 BHCS



1/4" SLOTS

Note: Wheel material is hard plastic

Part no.	D	H	Brake	Max. Load	Wheel Width
11-110	3"	4.13	Yes	250 lbs	1.25
11-111	4"	5.00	Yes	300 lbs	1.25
11-112	5"	6.00	Yes	325 lbs	1.25