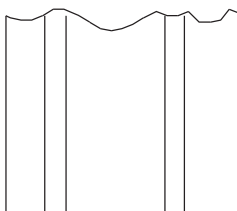


<b>11-120</b>
<b>11-121</b>
<b>11-122</b>

EX-22 uses caster plate 11-50



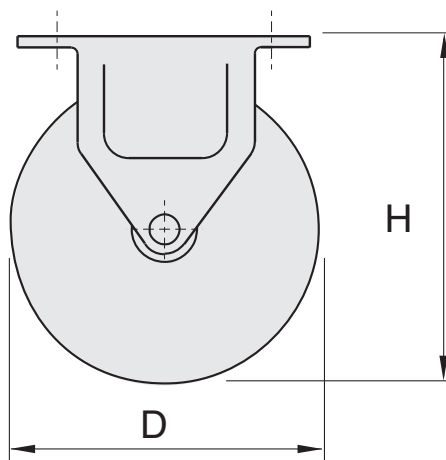
EX-22

The casters have (4) .343 dia mtg. holes on 1 3/4" x 3.00" centers



11-50

Recommended Hardware  
(4) EF-12-.50 BHCS



Note: Wheel material is hard plastic

Part no.	D	H	Brake	Max. Load	Wheel Width
<b>11-120</b>	3"	4.13	No	250 lbs	1.25
<b>11-121</b>	4"	5.00	No	300 lbs	1.25
<b>11-122</b>	5"	6.00	No	325 lbs	1.25

**1/4" SLOTS**