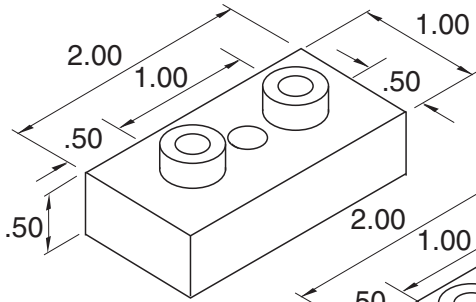


Drill Fixture

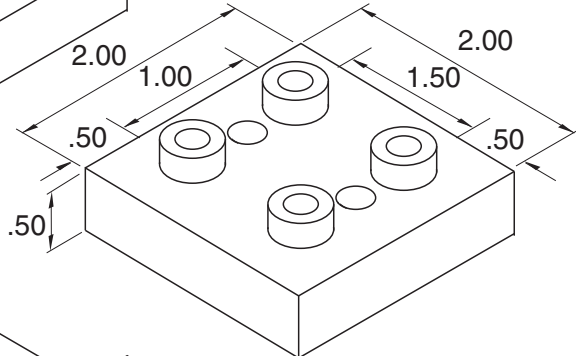


11-150
11-151

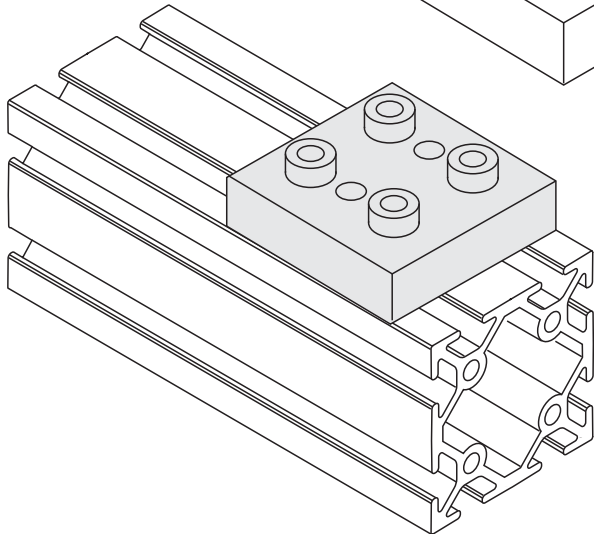


Hardware Included

11-150



11-151



1/4" SLOTS

Use on EX-11, EX-12, EX-13, EX-22 for drilling access holes for universal style corners

Material - Aluminum
Finish - Clear Anodize