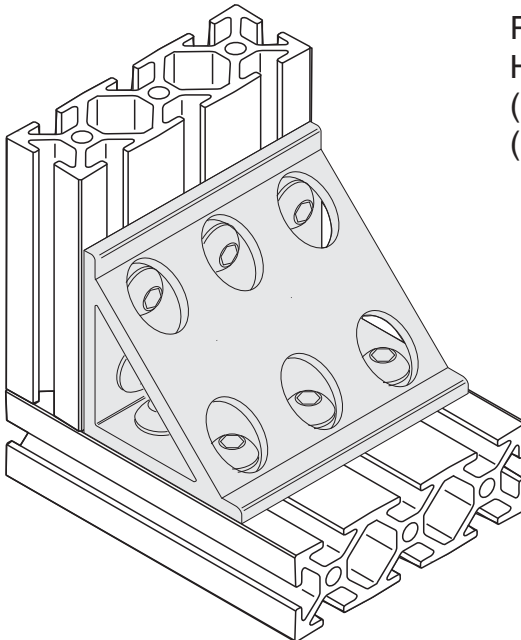
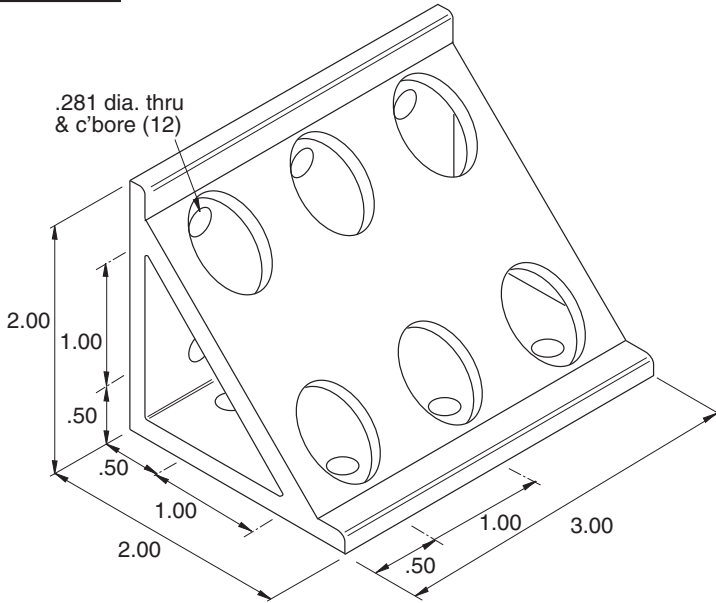


# Corner Gusset



**11-172**



Recommended Hardware  
(12) 11-231 BHCS  
(12) 11-210 T-nut

**1/4" SLOTS**

Material - Aluminum  
Finish - Clear Anodize