

11-22

.281 dia.
thru (4)

4.00

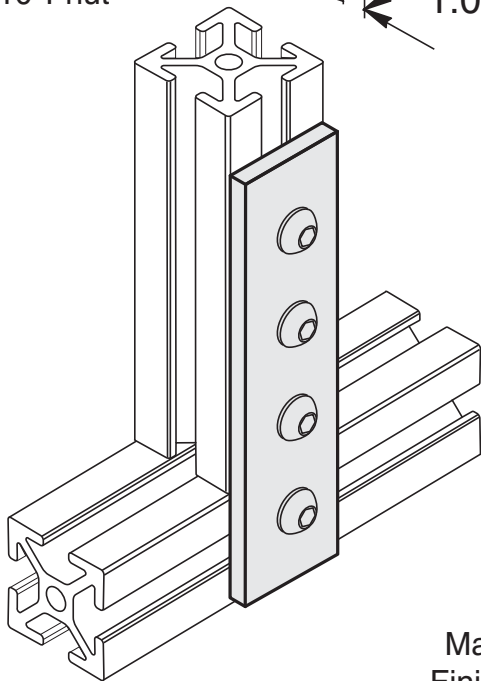
1.00

.50

Recommended
Hardware
(4) 11-231 BHCS
(4) 11-210 T-nut

.19

1.00



Material - Aluminum
Finish - Clear Anodize

1/4" SLOTS