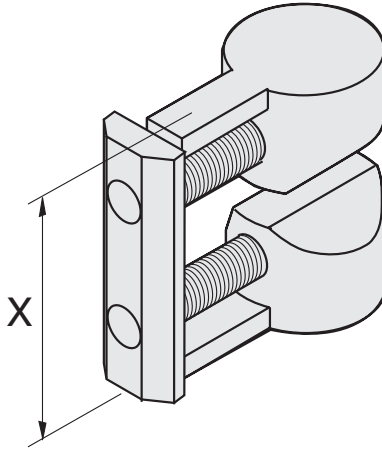


	11-248
with metric Hardware	11-248M
	11-249
with metric Hardware	11-249M

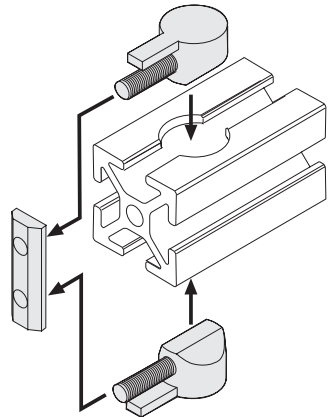
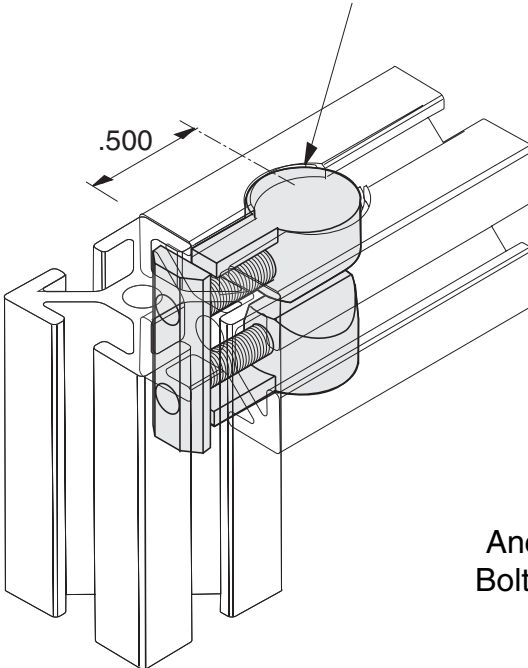
11-248 x=1.0

11-249 x=2.0

Hardware Included



.562 dia. x .445 deep (2) pces



1/4" SLOTS

Material:

- Anchor - Cast Zinc, Zinc Plated
- Bolt - Steel, Black Oxide Coating
- T-nut - Steel Zinc Coated