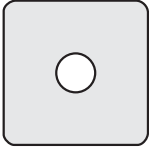


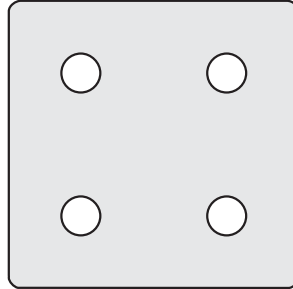
# Plastic End Plates



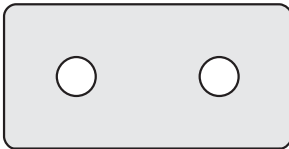
<b>11-250</b>
<b>11-257</b>
<b>11-258</b>
<b>11-259</b>
<b>11-277</b>



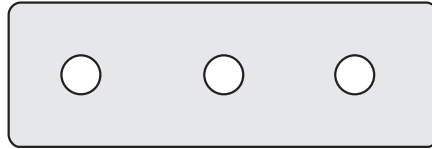
**11-250**  
use with Extrusion EX-11



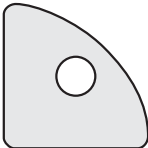
**11-258**  
use with Extrusion EX-22



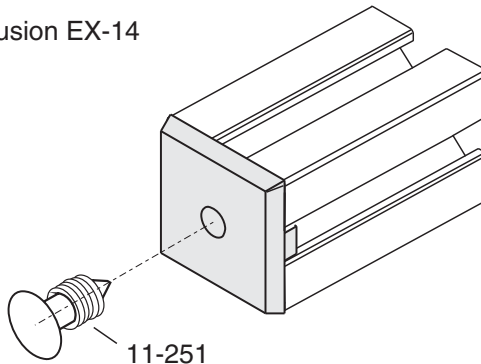
**11-257**  
use with Extrusion EX-12



**11-259**  
use with Extrusion EX-13



**11-277**  
use with Extrusion EX-14



Note: For metal covers,  
consult the factory

Push Lock Fasteners  
Included with each end plate

Material - Black ABS

1/4" SLOTS