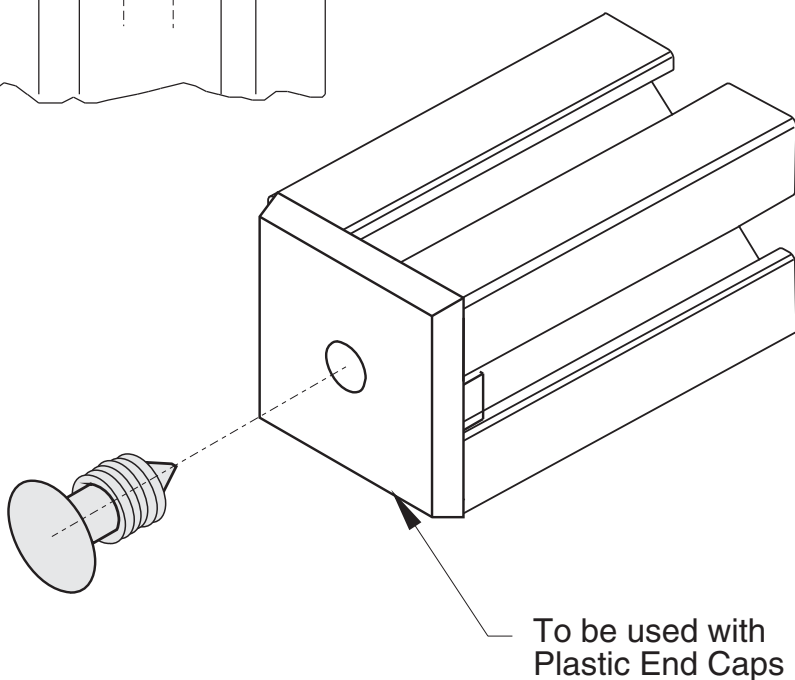


Note: thread bolt hole for permanent installation



1/4" SLOTS

Material - Nylon