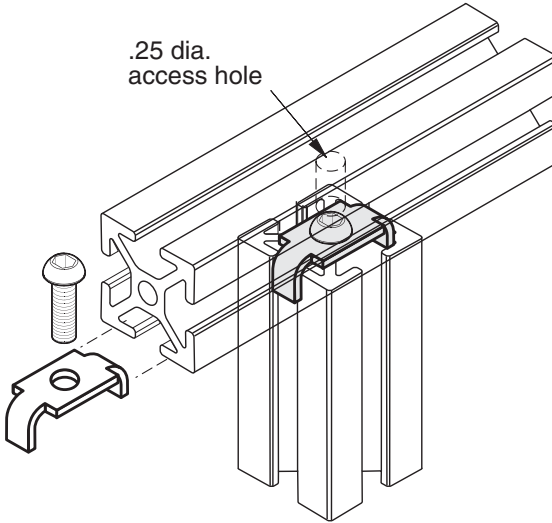


Zinc Plated Steel

11-262

Stainless Steel

11-262SS



.25 dia.
access hole

Requires
(1)11-233 BHCS

Universal Panel Connector

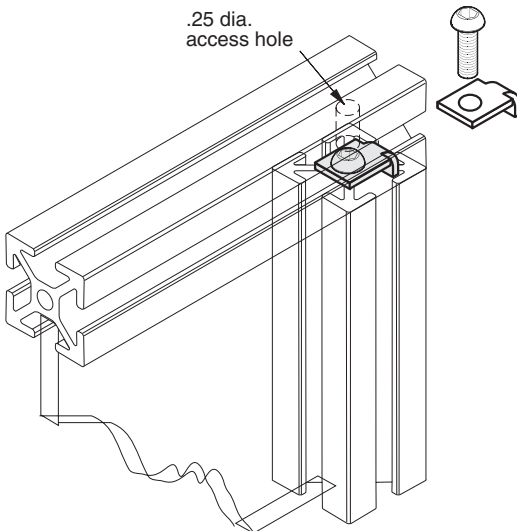
Zinc Plated Steel

11-267

Stainless Steel

11-267SS

Requires
(1)11-233 BHCS



.25 dia.
access hole

No panel
trimming
required

1/4" SLOTS