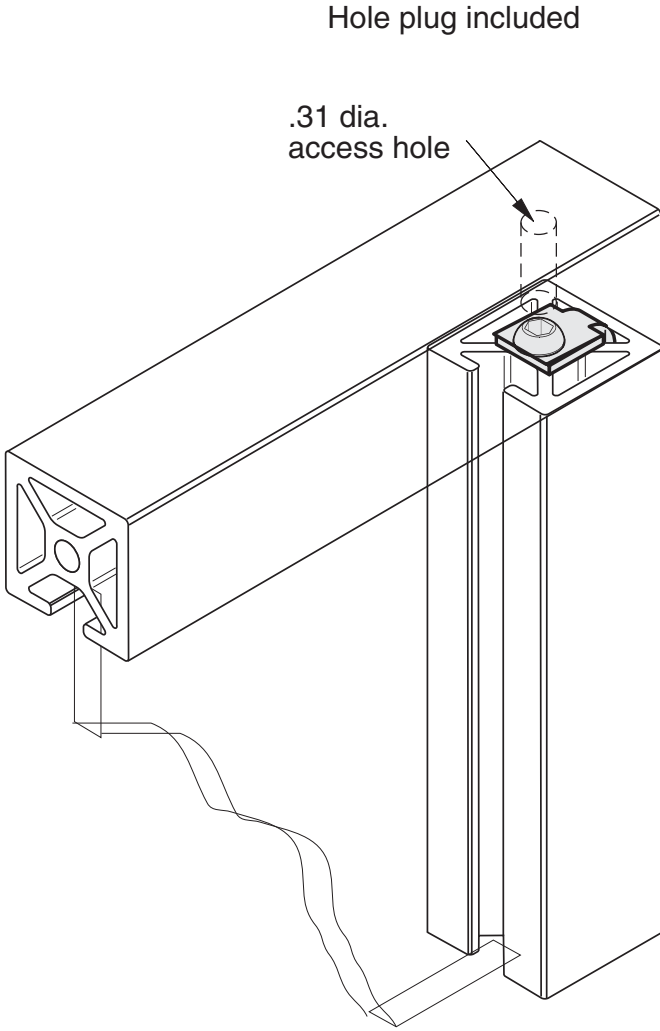


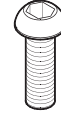
**11-269**

use with EX-70, EX-71, EX-72 and EX-73



Hole plug included

.31 dia.  
access hole



No panel trimming  
required.

**1/4" SLOTS**

Recommended  
Hardware  
(1) 11-233 BHCS

Material - Steel  
Finish - Zinc Plated