

Joining Plate



11-28

.281 dia.
thru (6)

3.00

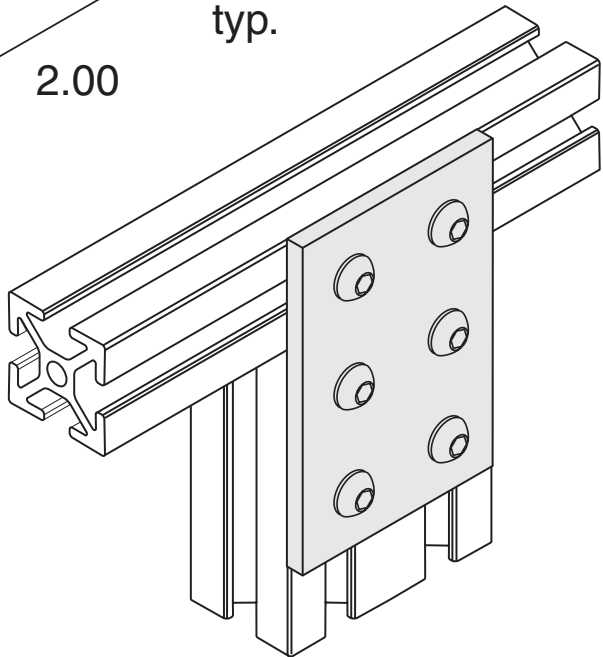
1.00
typ.

.50
typ.

.19

2.00

1/4" SLOTS



Recommended
Hardware
(6) 11-231 BHCS
(6) 11-210 T-nut

Material - Aluminum
Finish - Clear Anodize