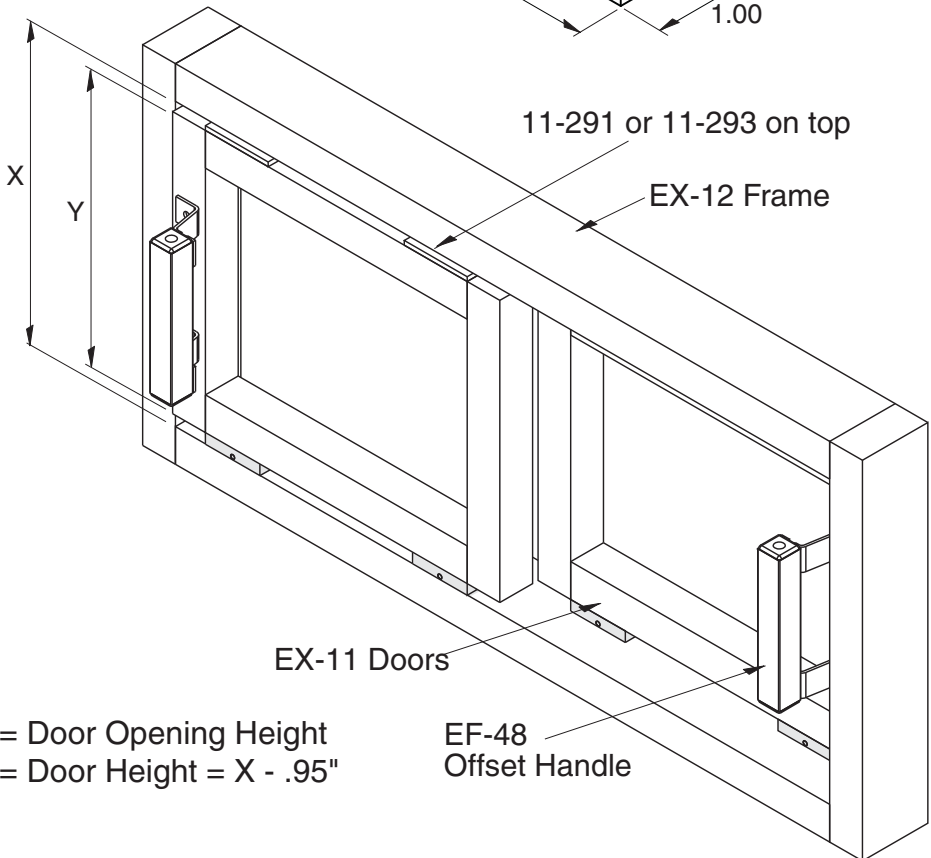
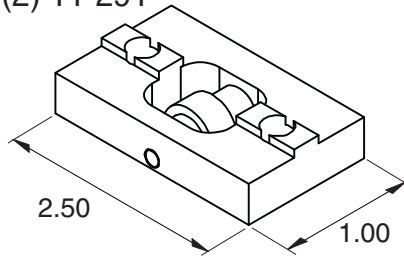


Door Roller Block - 1/4" Slot (lift out)

1/16" offset	11-288
on center	11-289

Door Clearance Between Sliders

- = .13" using (4) 11-288 and (4) 11-293
- = .06" using (2) 11-288 with (2) 11-293
and (2) 11-289 with (2) 11-291



X = Door Opening Height
Y = Door Height = X - .95"

EF-48
Offset Handle

Block material is anodized aluminum
Roller is DELRIN

Hardware Included

1/4" SLOTS