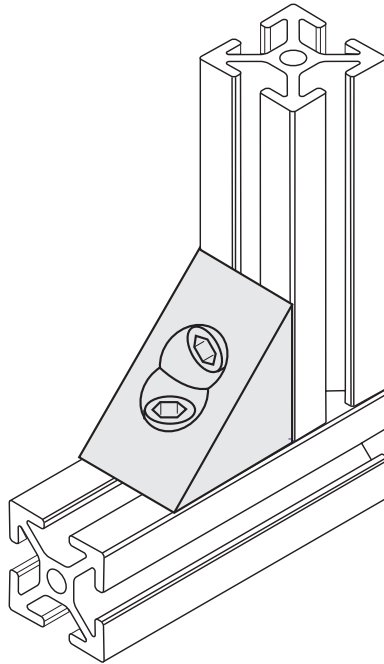


Recommended  
Hardware  
(2) 11-221 SHCS  
(2) 11-210 T-nut



**1/4" SLOTS**

Material - Aluminum  
Finish - Clear Anodize