

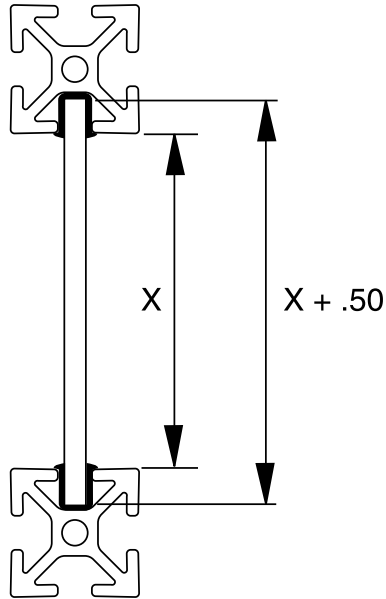
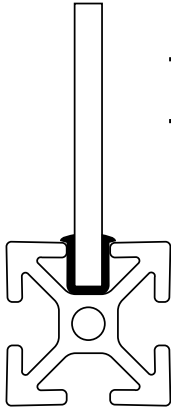
Plastic Panel Retaining Gasket

for .220 thick panels	11-297
for .170 thick panels	11-298
for .125 thick panels	11-299

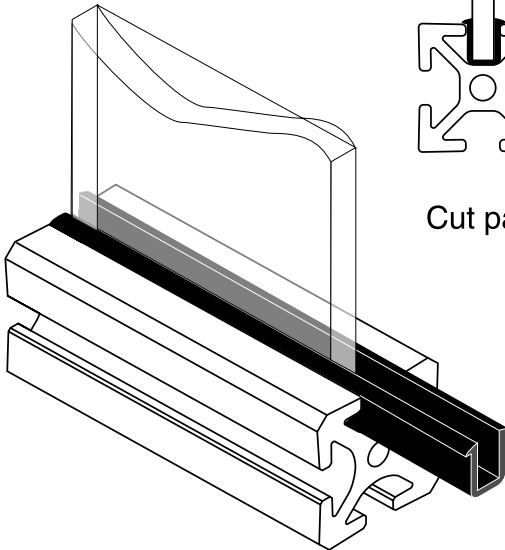
11-297 for .220 thick panels

11-298 for .170 thick panels

11-299 for .125 thick panels



Cut panel to $X + .50$ "



Material:
Flexible Vinyl

1/4" SLOTS