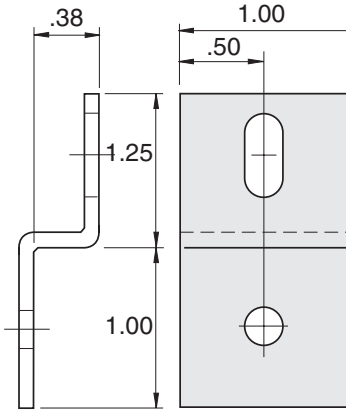


Wire Mesh Bracket (Steel)

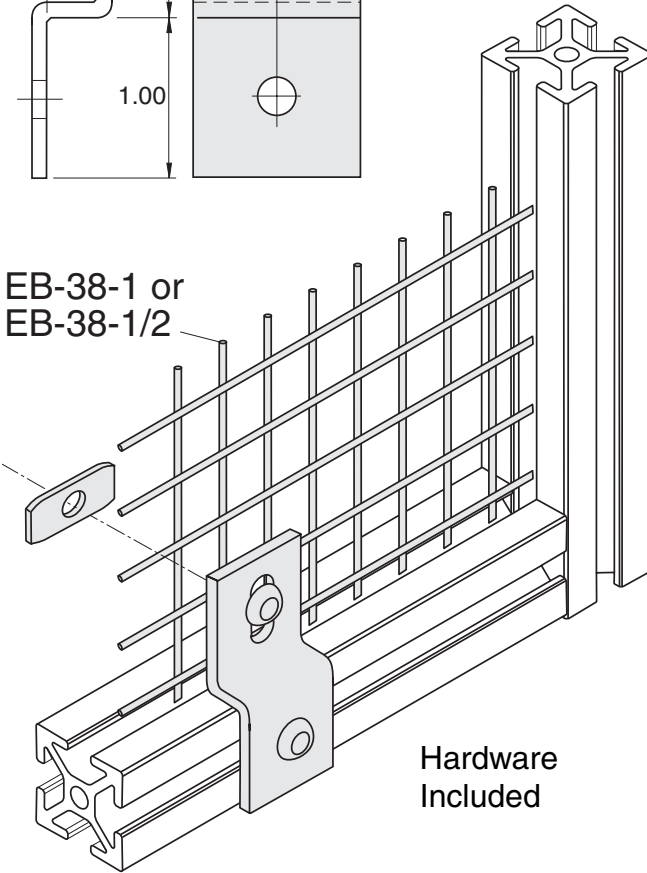


11-30

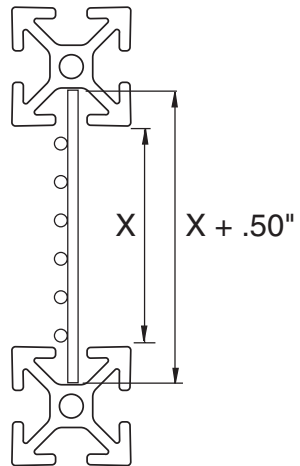


EB-38-1 or
EB-38-1/2

1/4" SLOTS



Hardware
Included



Cut wire
mesh to
 $X + .50"$

Material - Steel
Finish -Black Powder Coat