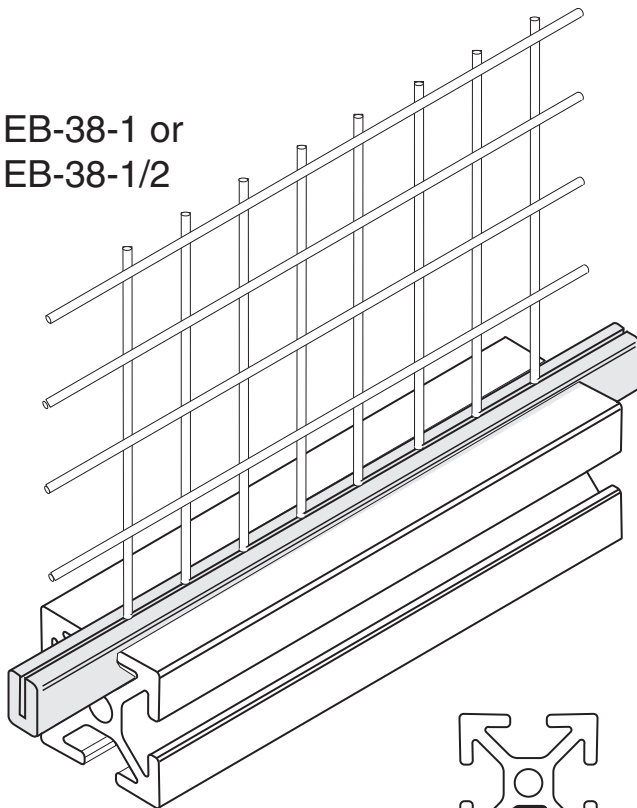
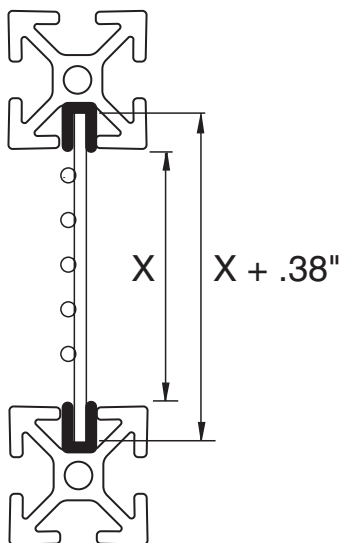


11-31

EB-38-1 or
EB-38-1/2



Note: Provides snug fit



Cut wire mesh
to $X + .38''$

1/4" SLOTS