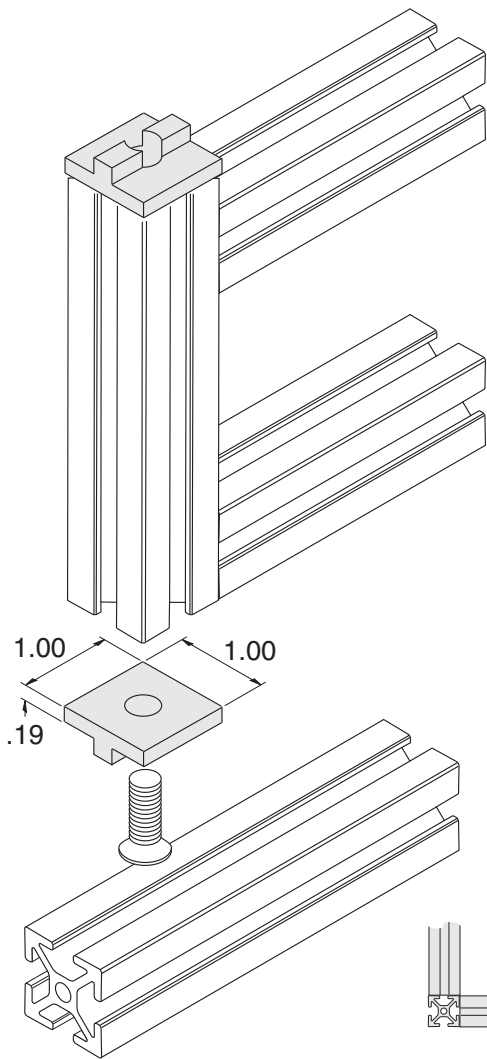
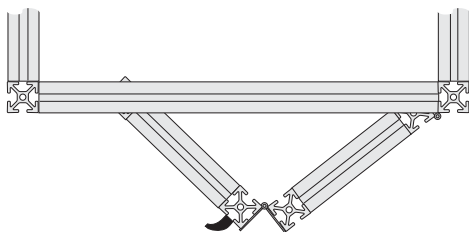


**11-310**



Use on 1" x 1" sq. extrusions  
with 1/4" wide slots



**1/4" SLOTS**

Hardware Included

Pad material is DELRIN

