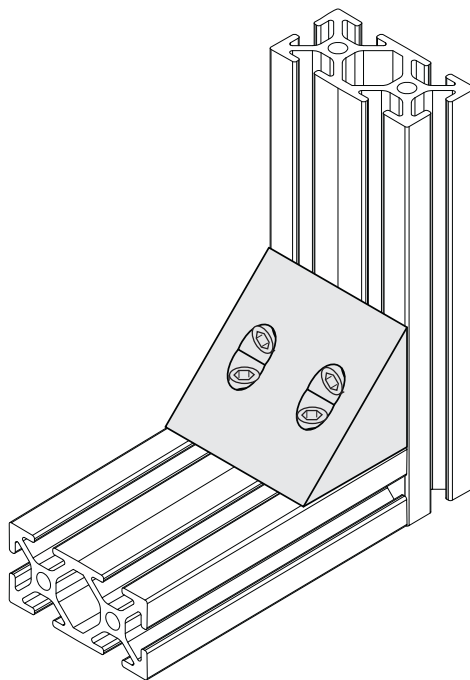


Recommended
Hardware
(4) 11-221 SHCS
(4) 11-210 T-nut



1/4" SLOTS

Material - Aluminum
Finish - Clear Anodize