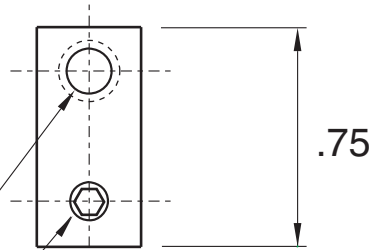
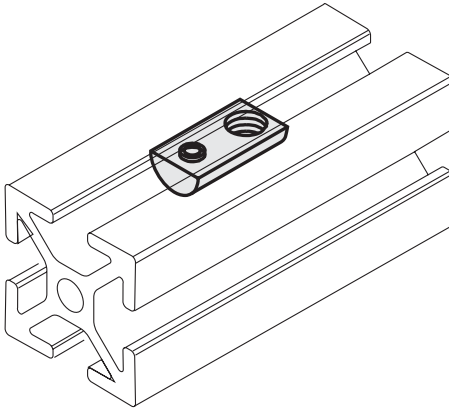
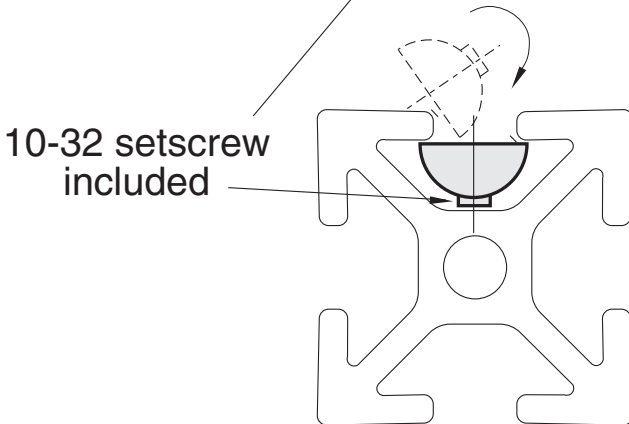


11-340
11-341
11-342



- 11-340** 1/4-20 thd
- 11-341** 10-32 thd
- 11-342** m6 thd



1/4" SLOTS

Material - Steel
Finish - Zinc Plated