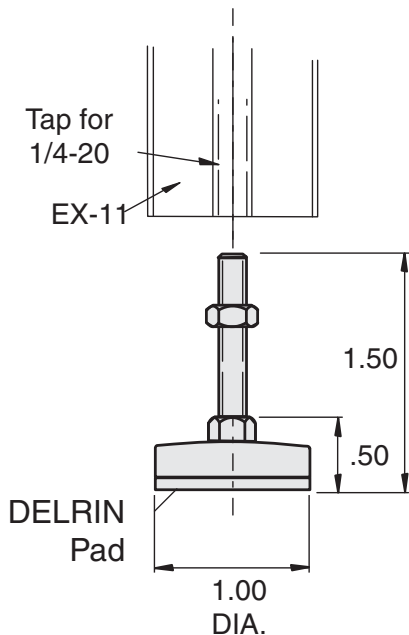


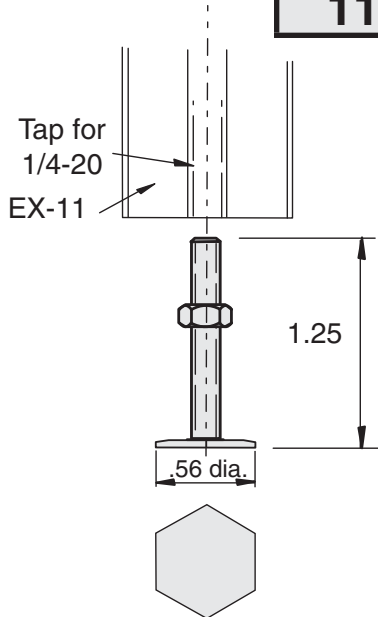
**11-35**

**11-36**



Load = 100 lbs

**11-35**



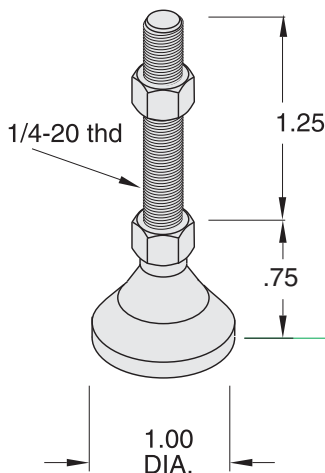
Load = 150 lbs

**11-36**

Material - Steel

**Deluxe Leg**

**11-52**



Load = 2000 lbs

**1/4" SLOTS**