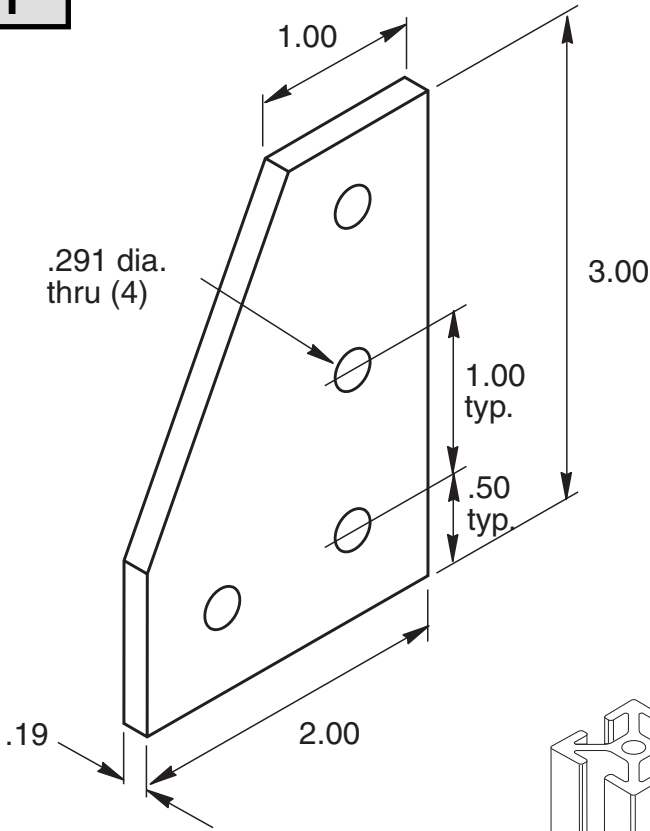


Joining Plate

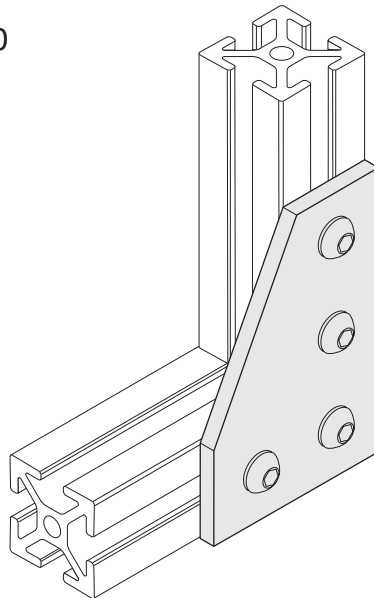


11-41



1/4" SLOTS

Recommended Hardware
(4) 11-231 BHCS
(4) 11-210 T-nut



Material - Aluminum
Finish - Clear Anodize