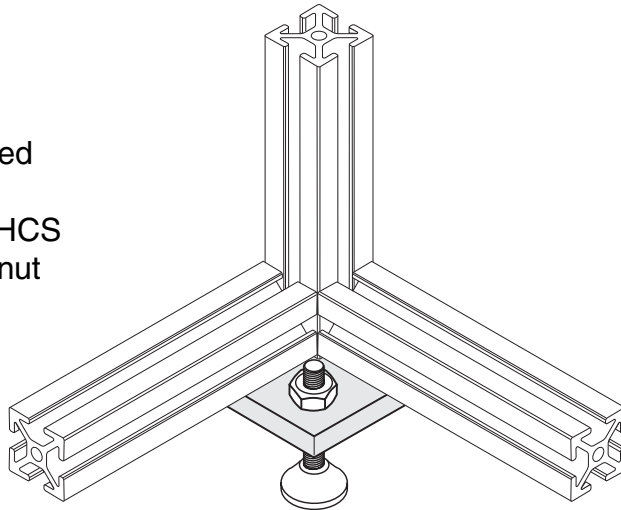


Recommended
Hardware
(3) 11-221 SHCS
(3) 11-210 T-nut



Material - Aluminum
Finish - Clear Anodize

1/4" SLOTS