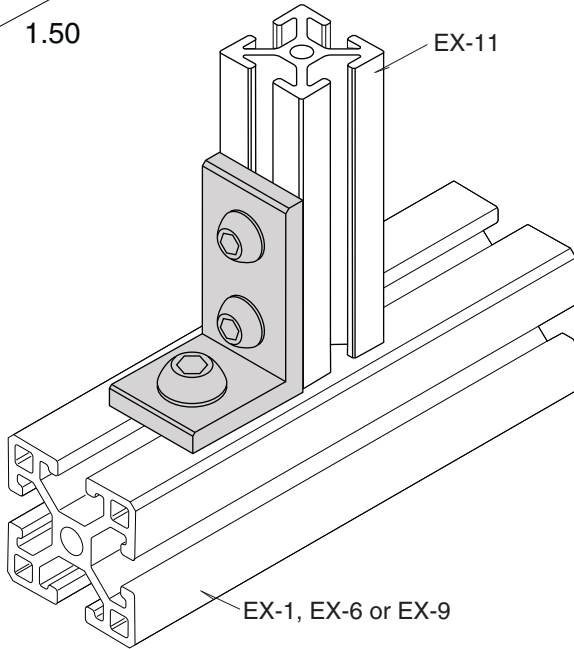
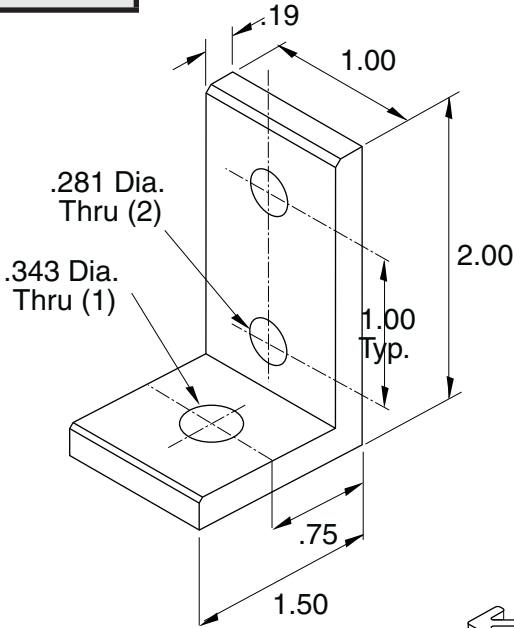


Transition Corner Angle



11-5



1/4" SLOTS

Recommended Hardware

- (2) 11-231 BHCS
- (2) 11-210 T-nut
- (1) EF-12-.63 BHCS
- (1) EF-2 T-nut

Material - Aluminum
Finish - Clear Anodize