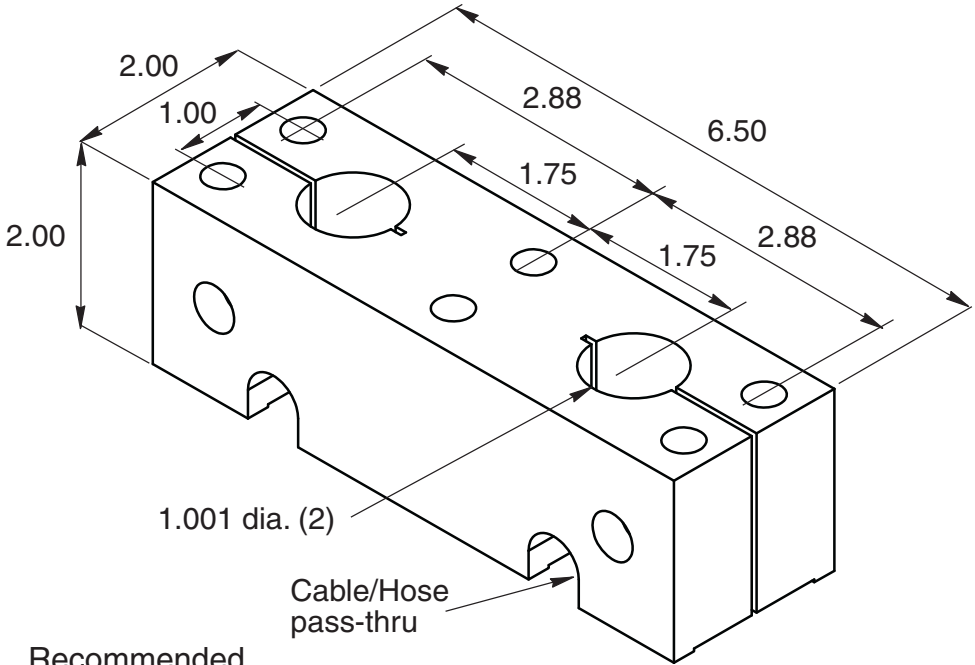


Double Shaft Base

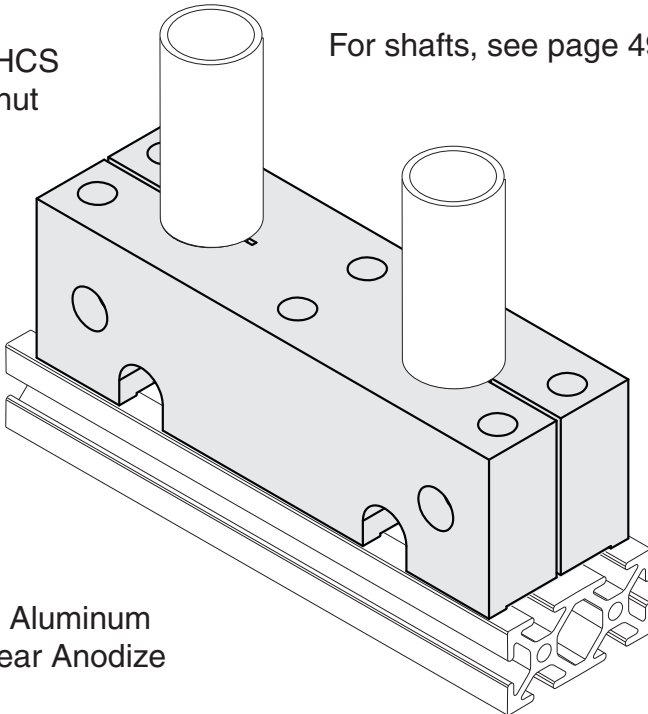


11-502	with locking handle
11-503	with locking 5/16 SHCS



Recommended
Hardware
(6) 11-226 SHCS
(6) 11-205 T-nut

For shafts, see page 496



Material - Aluminum
Finish - Clear Anodize

1/4" SLOTS