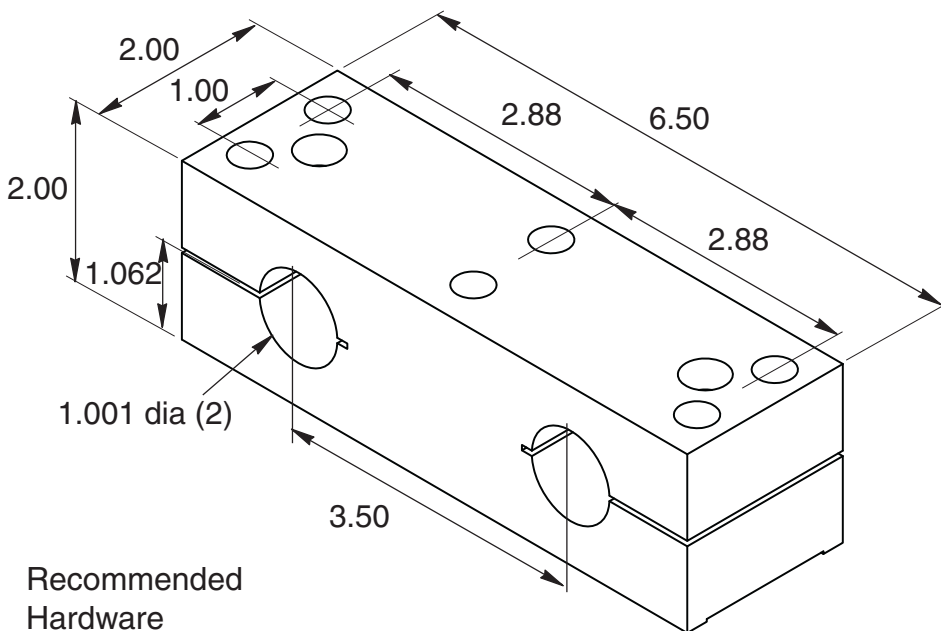
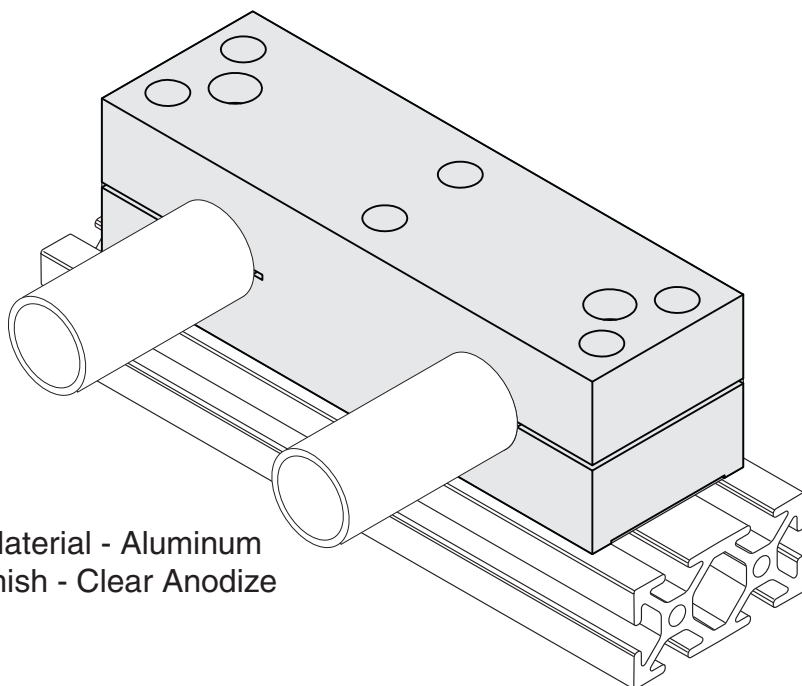


with locking handle	11-508
with locking 5/16 SHCS	11-509



Recommended
Hardware
(4) 11-224 SHCS
(4) 11-205 T-nut

For shafts, see page 496



Material - Aluminum
Finish - Clear Anodize

1/4" SLOTS