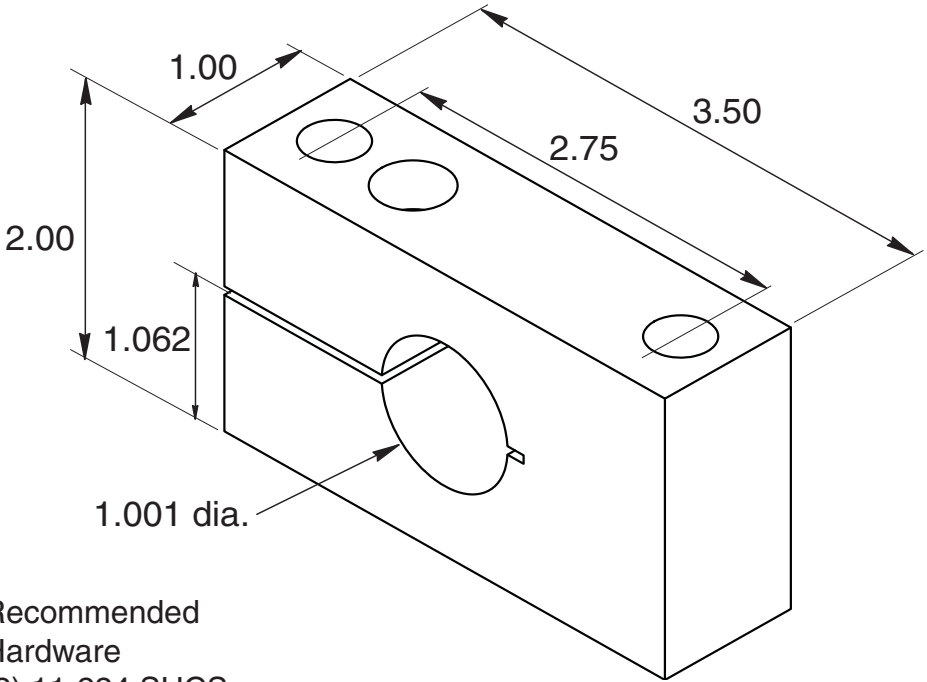


# Single Shaft Mounting Block

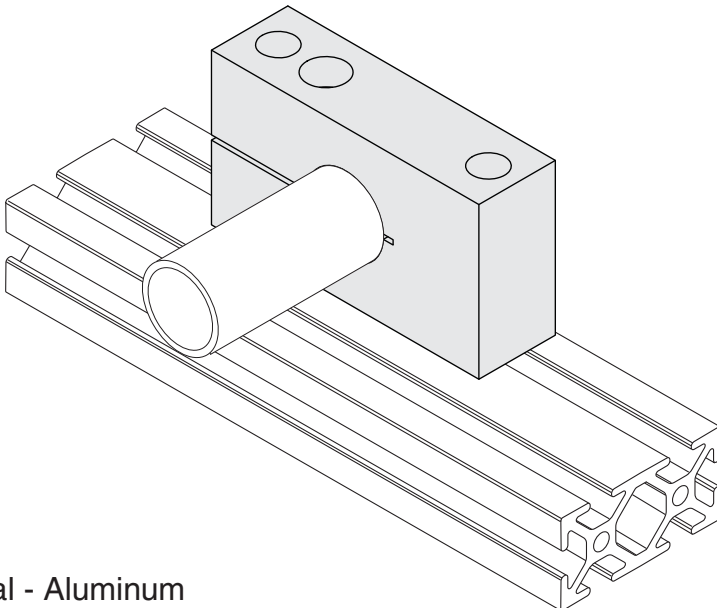


|               |                        |
|---------------|------------------------|
| <b>11-510</b> | with locking handle    |
| <b>11-511</b> | with locking 5/16 SHCS |



Recommended  
Hardware  
(2) 11-224 SHCS  
(2) 11-205 T-nut

For shafts, see page 496



1/4" SLOTS

Material - Aluminum  
Finish - Clear Anodize