

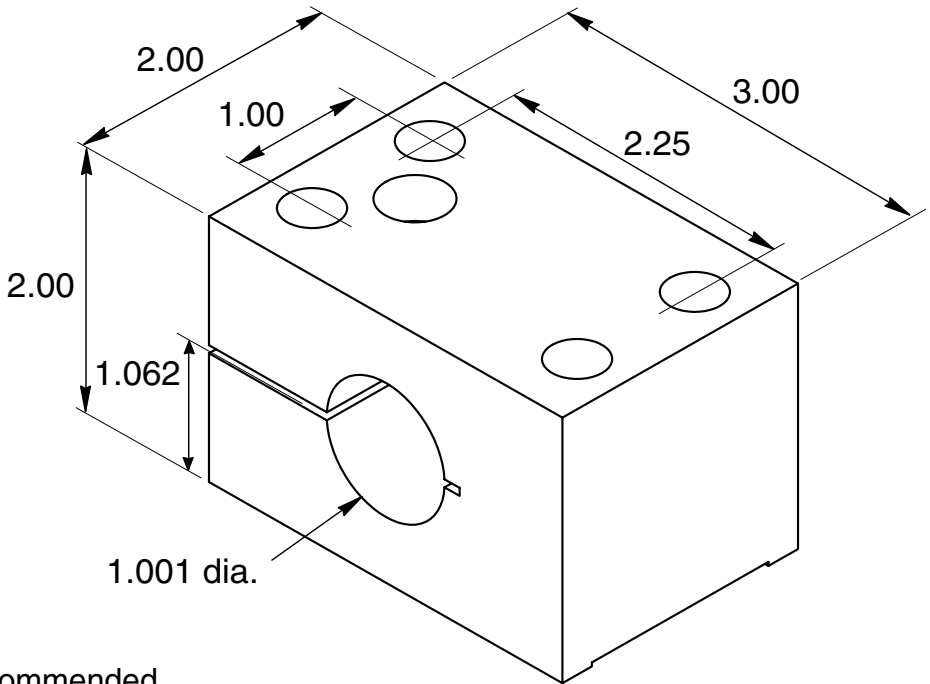


Single Horizontal Base

with locking handle
with locking 5/16 SHCS

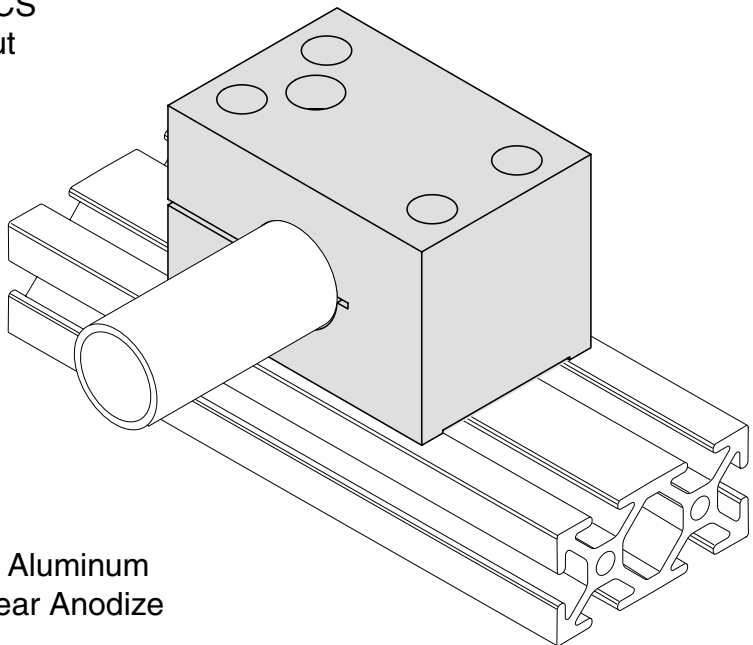
11-512

11-513



Recommended Hardware
 (4) 11-226 SHCS
 (4) 11-205 T-nut

For shafts, see page 466



Material - Aluminum
Finish - Clear Anodize

1/4" SLOTS