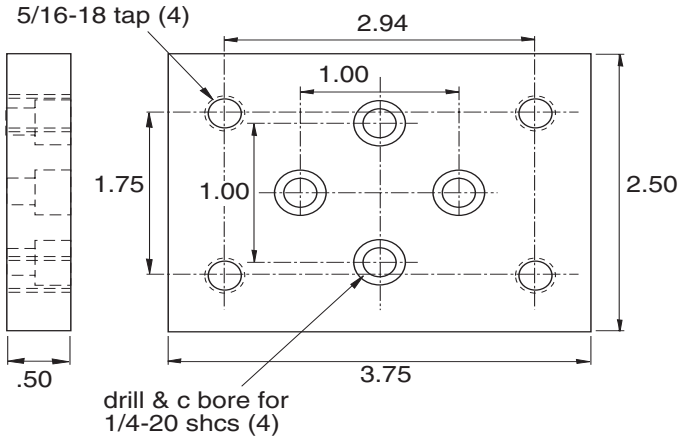


Caster Mounting Plate

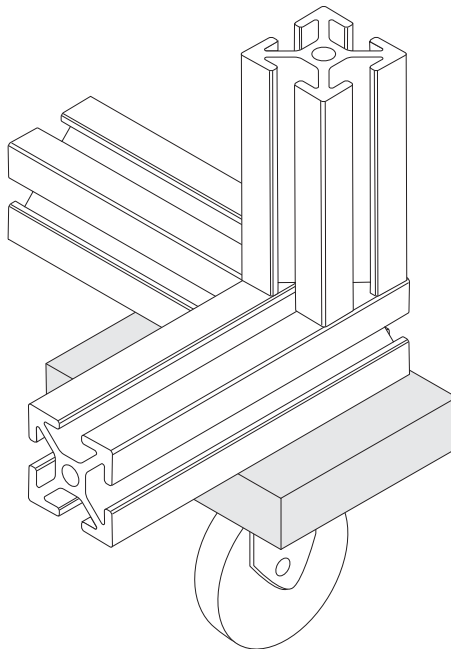


11-55



- Recommended Hardware
- (2) 11-221 SHCS
 - (2) 11-210 T-nut

1/4" SLOTS



Material - Aluminum
Finish - Clear Anodize