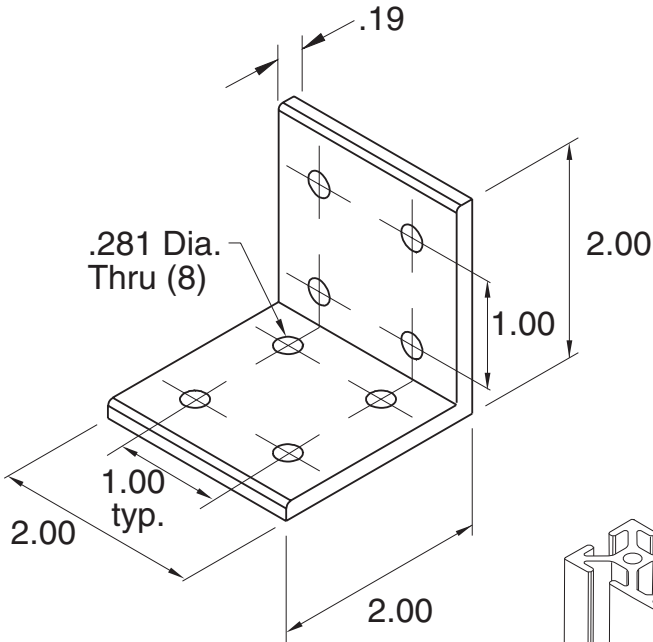
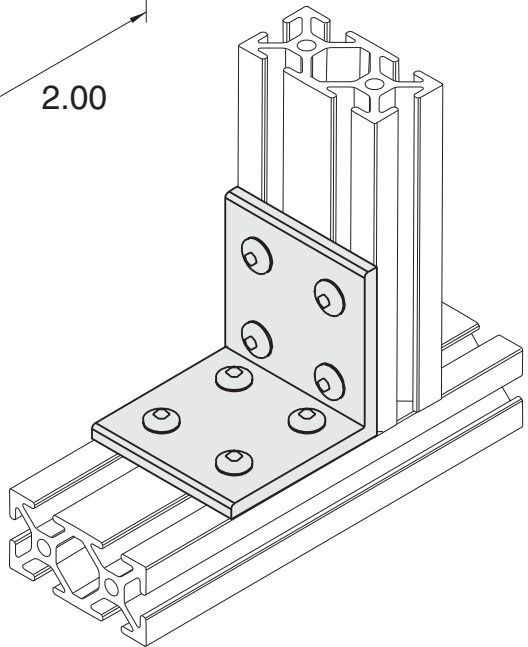


**11-6**



1/4" SLOTS

Recommended Hardware  
(8) 11-231 BHCS  
(8) 11-210 T-nut



Material - Aluminum  
Finish - Clear Anodize