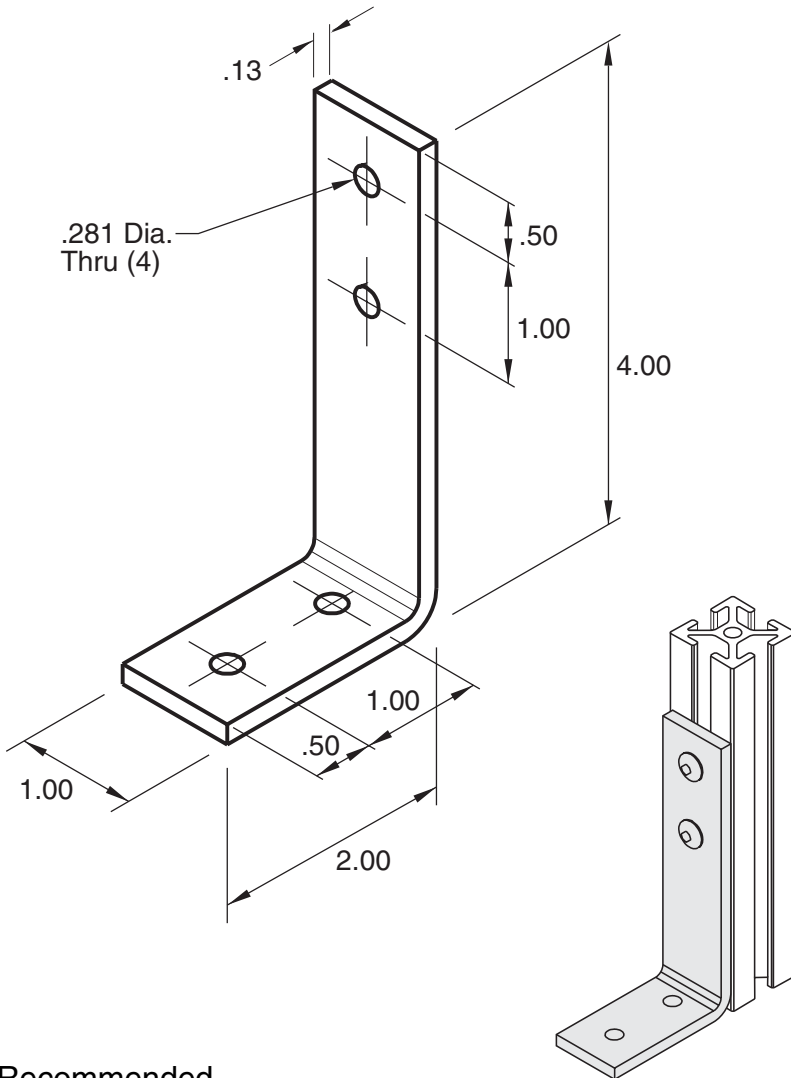


11-64



1/4" SLOTS

Recommended
Hardware
(4) 11-230 BHCS
(4) 11-210 T-nut

Material - Steel
Finish - Black Powder Coat