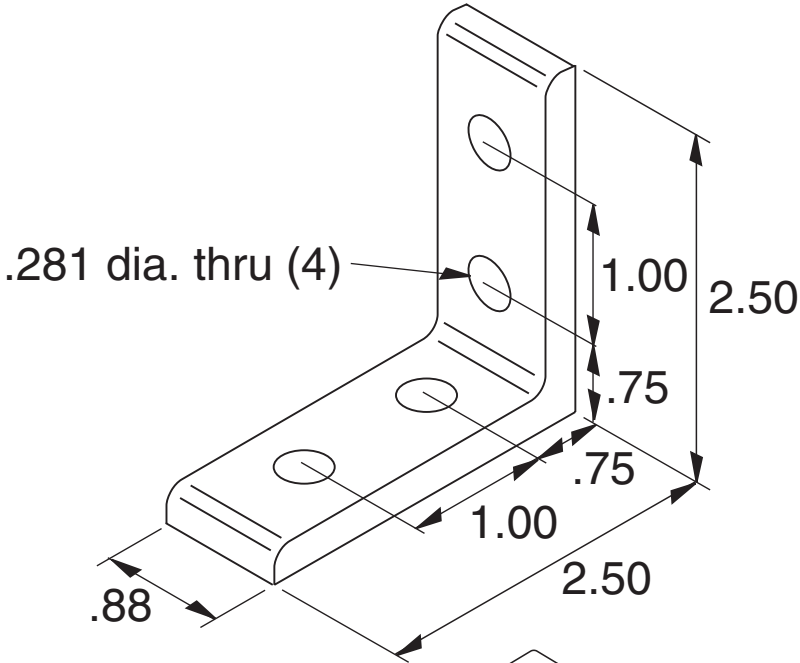


**11-81**



Recommended Hardware  
(4) 11-231 BHCS  
(4) 11-210 T-nut

**1/4" SLOTS**

