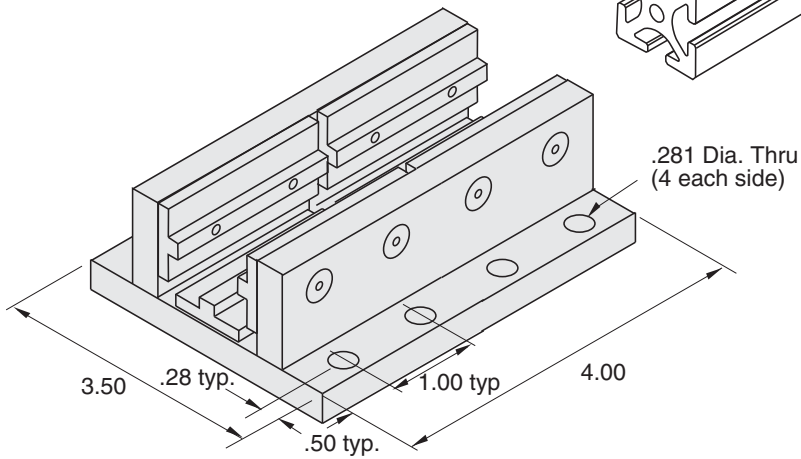
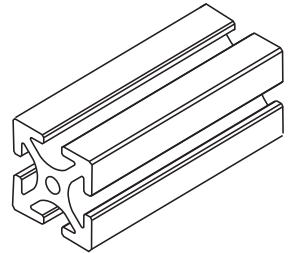


Note: 3-piece design
for adjustability



1/4" SLOTS

Recommended
Hardware
(8) 11-233 BHCS
(8) 11-205 T-nut

Bearing Material - DELRIN
Plate Material - Aluminum
Finish - Clear Anodize