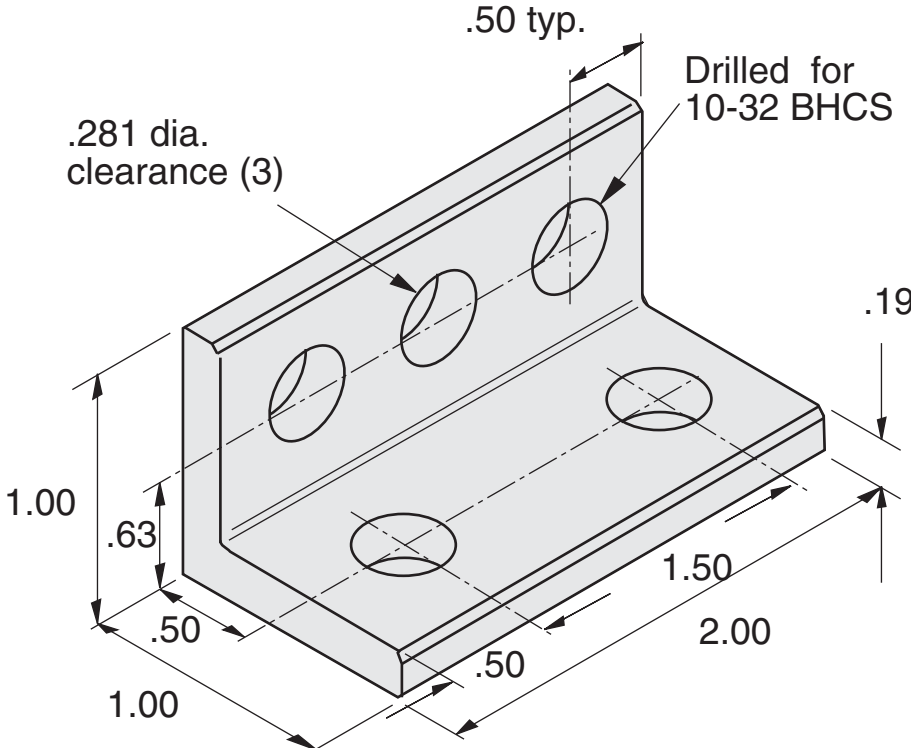


11-96



1/4" SLOTS

- Recommended Hardware
- (2) 11-231 BHCS
 - (2) 11-210 T-nut
 - (2) 10-32 x 5/8 BHCS

Note: see part no. 11-98 for example

Material - Aluminum
Finish - Clear Anodize