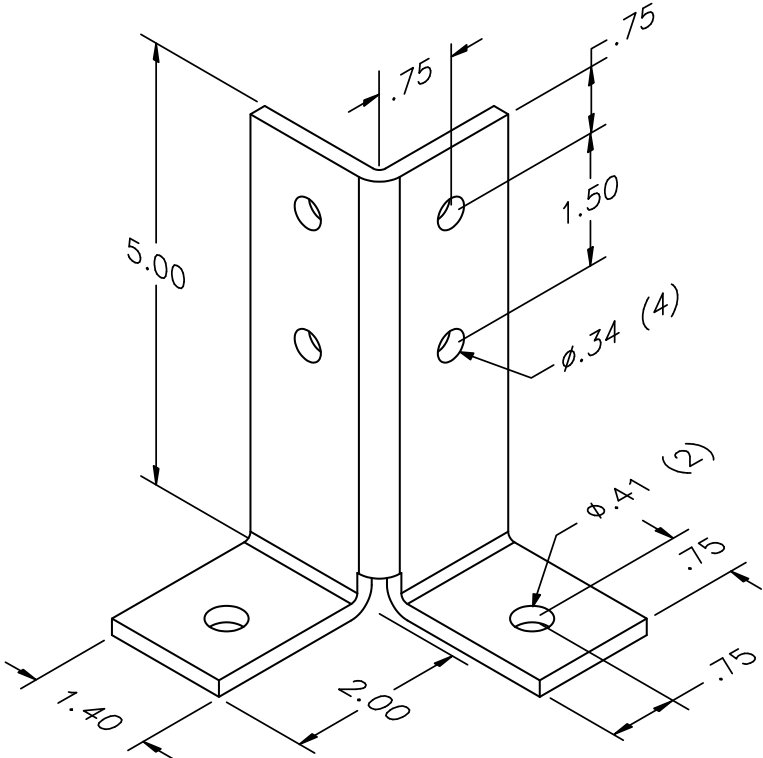
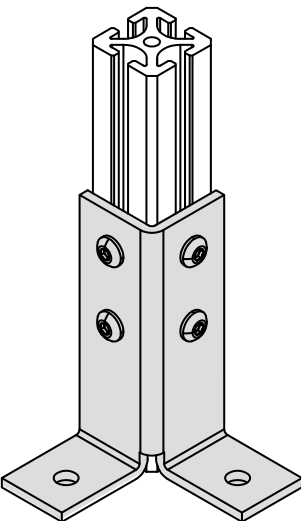


EB-17-FT



.200" thick

Use with 5/16" slot extrusions



Material - Steel
Finish - Grey Powder Coat

New Stuff