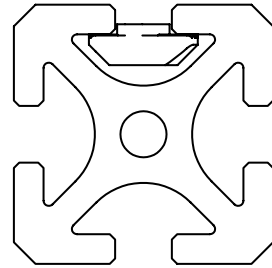
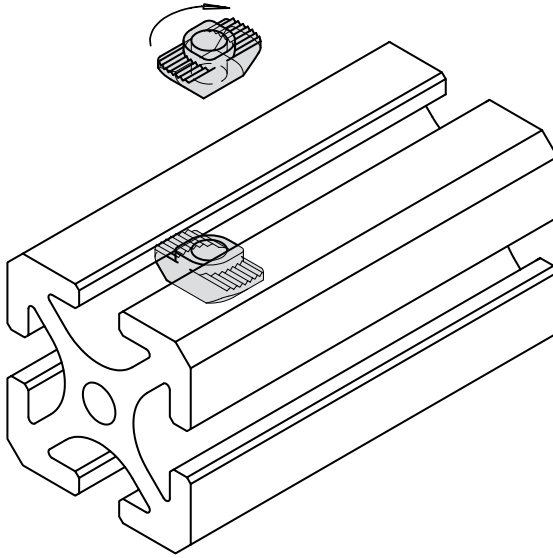


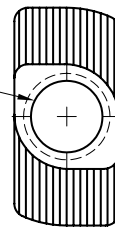
Z-nut



EF-96



- EF-96 1/4-20 THD.
- EF-97 10-32 THD.
- EF-98 M6 THD.
- EF-99 M5 THD.



Use with 5/16" Slot Extrusions Only

MATERIAL — STEEL
FINISH — ZINC PLATED