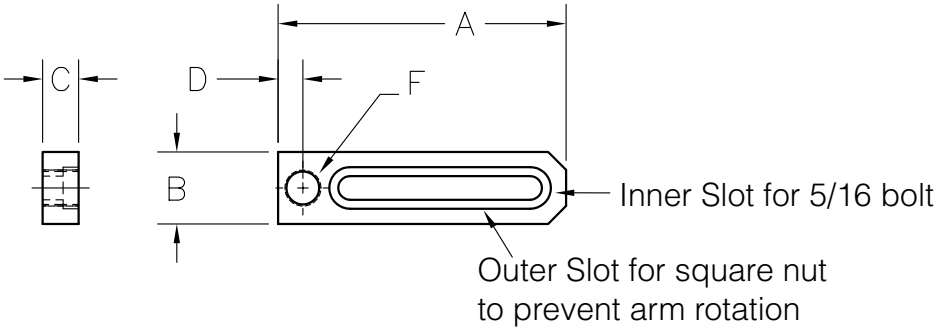
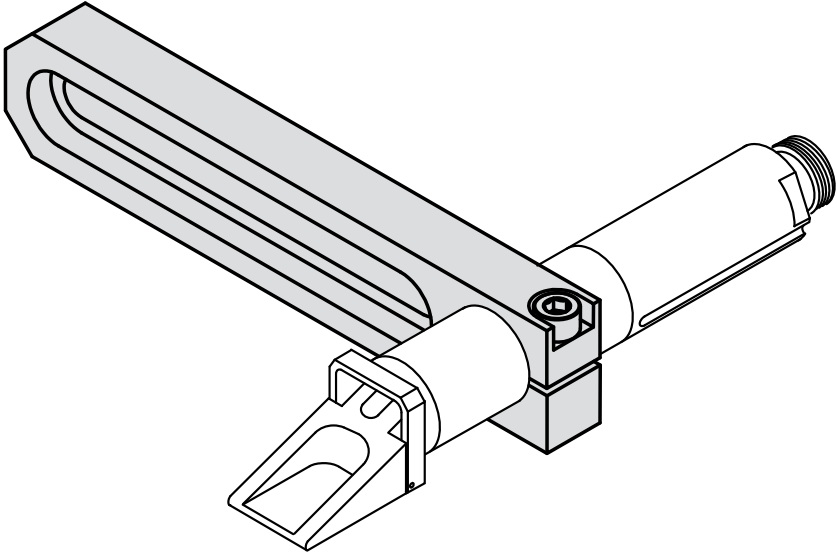


MT-MCA

Modular Vacuum Components and Tooling



PART NO	A	B	C	D	E	F
MT-MCA- 4C	4.00	1.00	.50	.56	--	Ø.75 CLAMP
MT-MCA-6C	6.00	1.00	.50	.56	--	Ø.75 CLAMP

Requires Square Nut **SMN-56**

Material - Aluminum
Finish - Clear Anodize