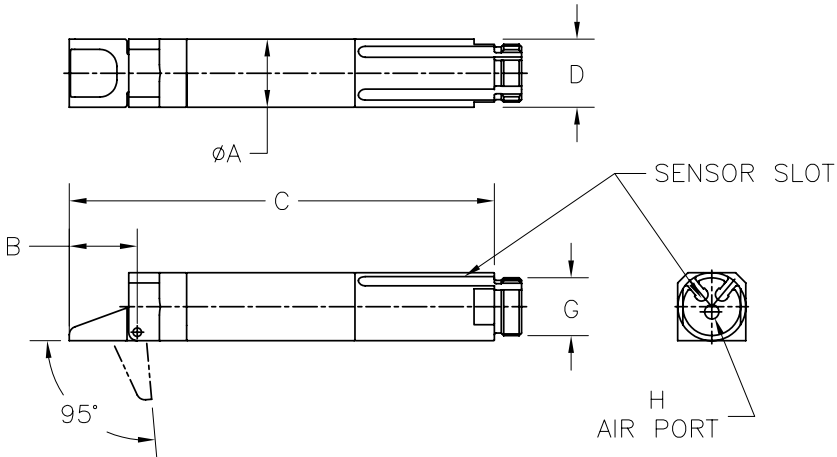
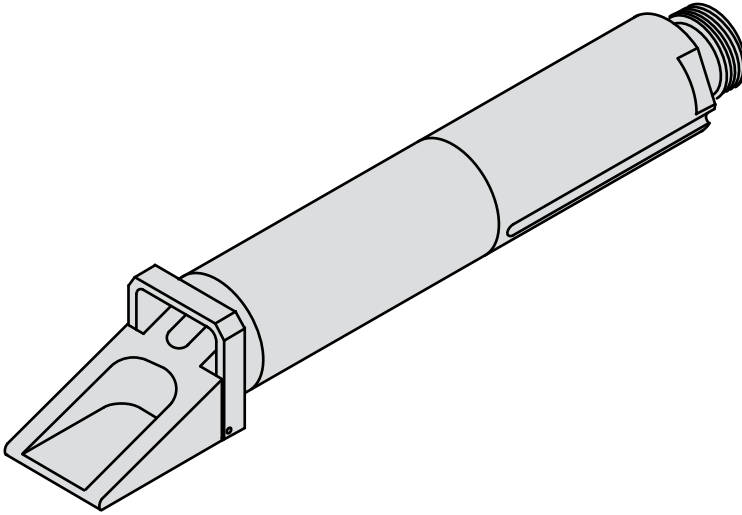


90° Mini Clamp (Sensor)



MT-MCL-2

Modular Vacuum Components and Tooling



PART NO.	A	B	C	D	G	STROKE	H	CLOSING FORCE*
MT-MCL-2	Ø.787	.787	4.92	.787	M17 x 1	95°	M5	16 lbf

* at 87 PSI

Order Sensors Separately

MT-MCL-SP	PNP Sensor	3-wire, 78.74" long cable	6-24 vdc
MT-MCL-SN	NPN Sensor	3-wire, 78.74" long cable	6-24 vdc