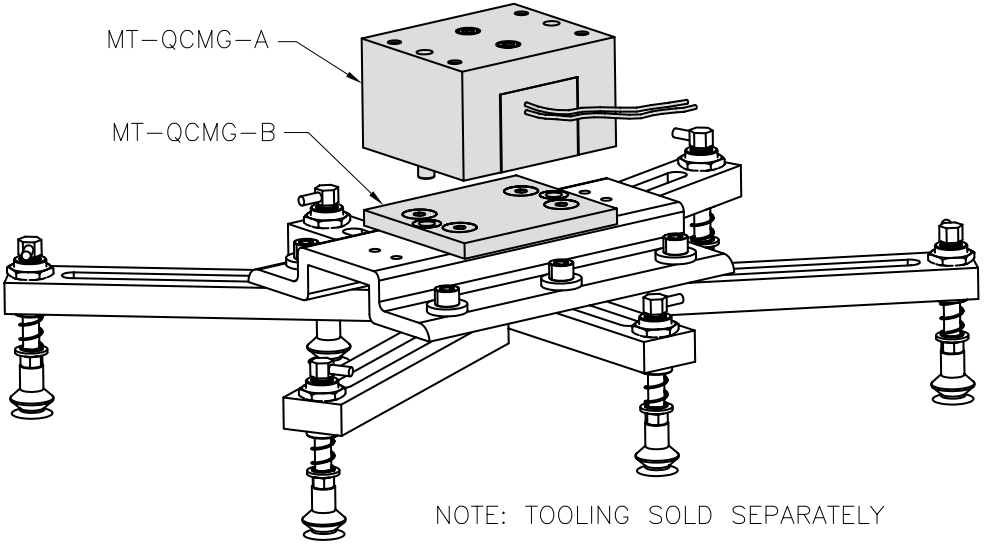
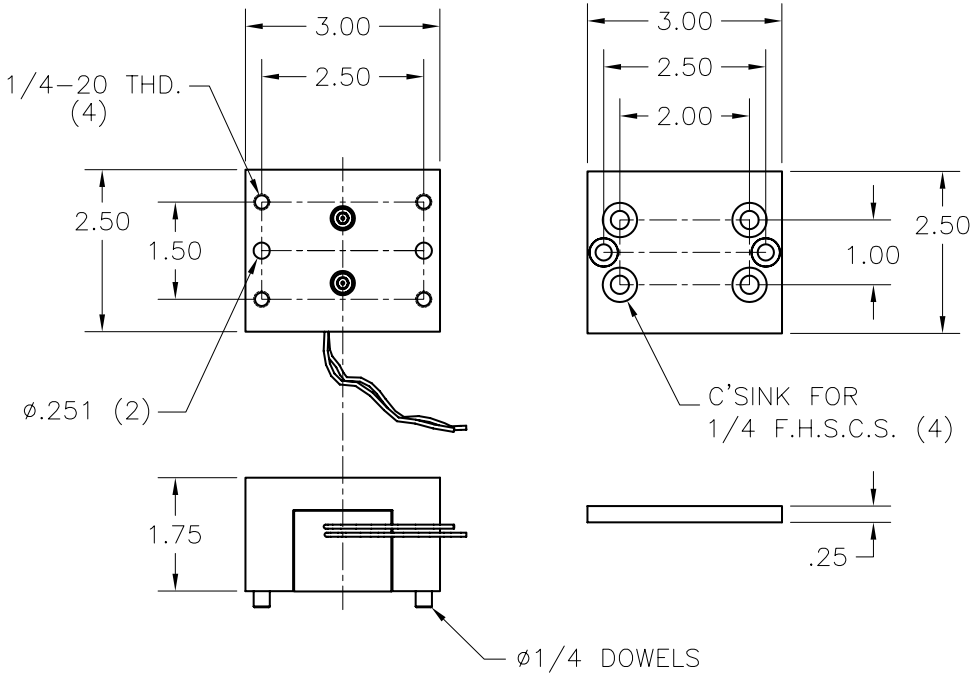


MT-QCMG-A
MT-QCMG-B



NOTE: TOOLING SOLD SEPARATELY



DC-POWERED ELECTROMAGNET
REQUIRES A DC POWER SUPPLY
10 WATTS, 12VDC
MAX. PULL 160 lbs.