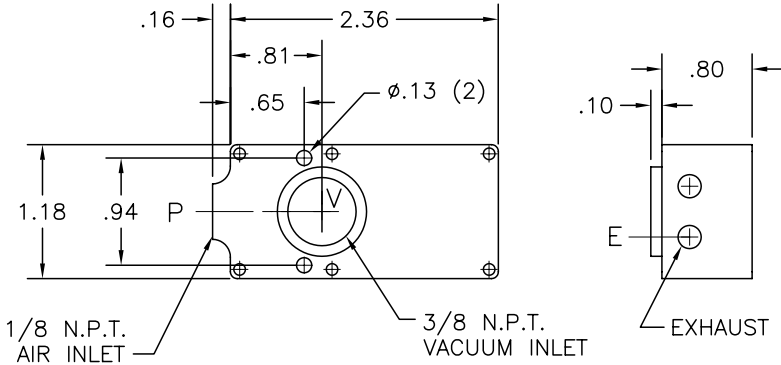
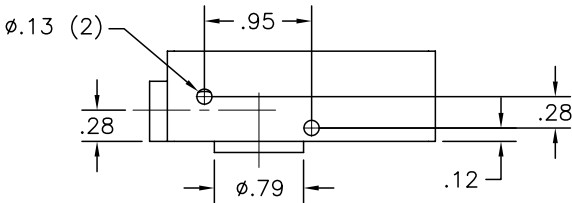
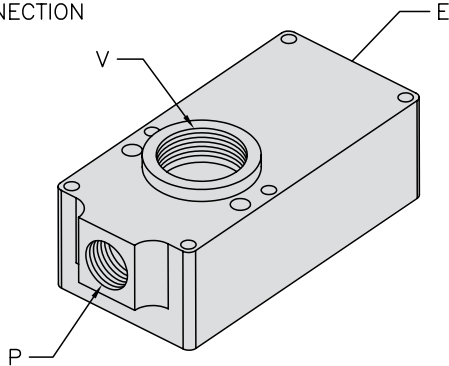


**VGEN-2**

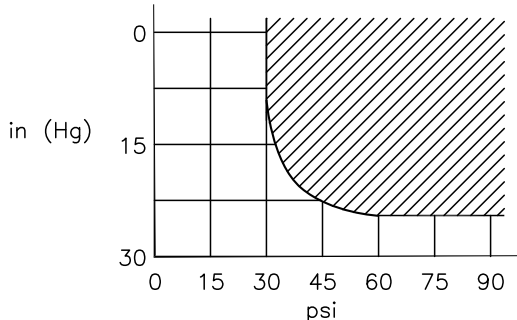
P=COMPRESSED AIR CONNECTION  
V=VACUUM CONNECTION  
E=EXHUAUST



1/8 N.P.T. AIR INLET

3/8 N.P.T. VACUUM INLET

EXHAUST



Capacity: Approx 10 in<sup>2</sup>

GRAPH OF SUPPLY PRESSURE vs. VACUUM PRODUCED