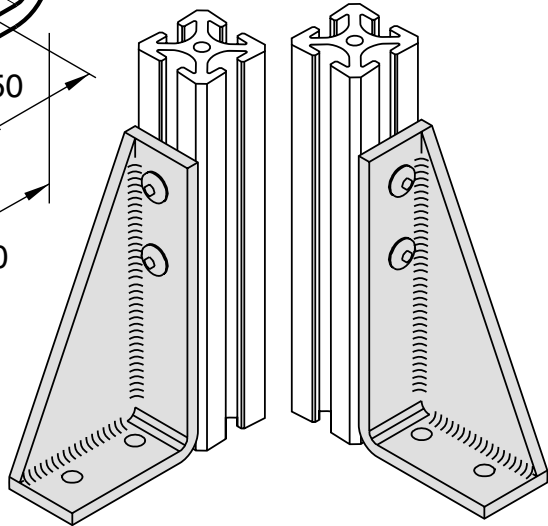
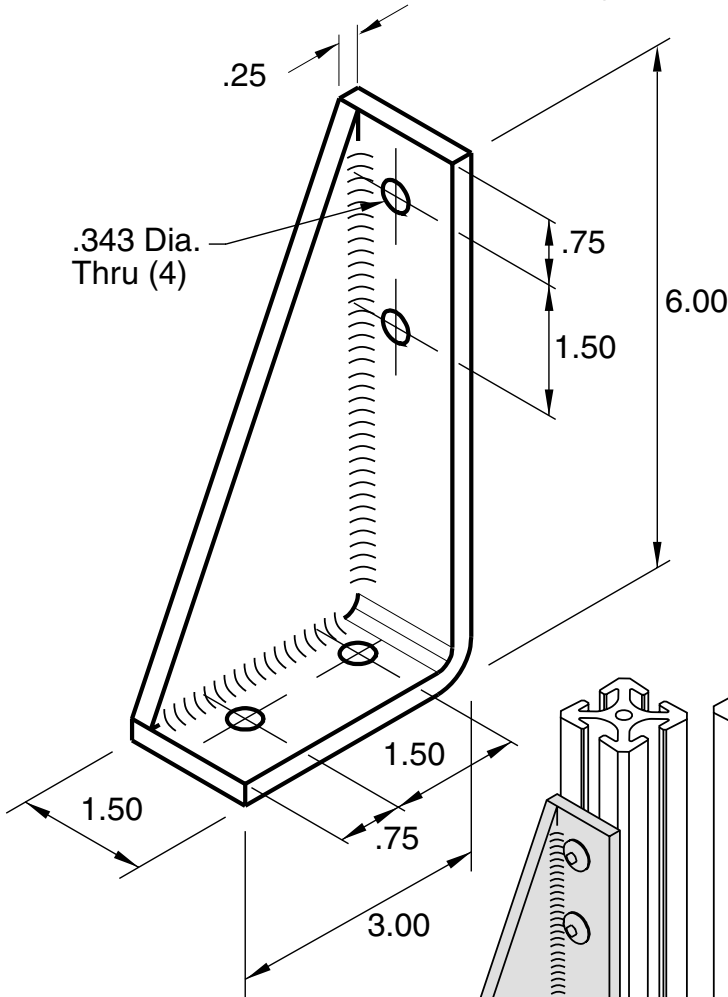


**EB-15LH (left hand)
EB-15RH (right hand)**

EB-15



**EB-15LH
(left hand)**

**EB-15RH
(right hand)**

**Recommended
Hardware**
(4) EF-12-.63 BHCS
(4) EF-2 T-nut

**Material - Steel
Finish - Black Powder Coat**

5/16" SLOTS