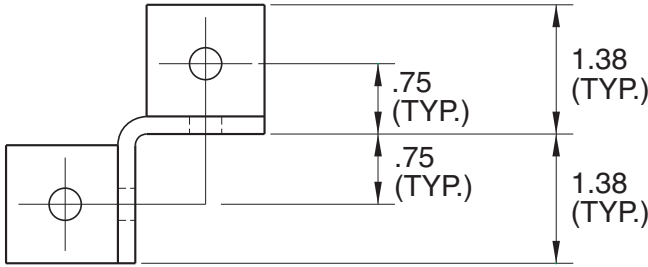


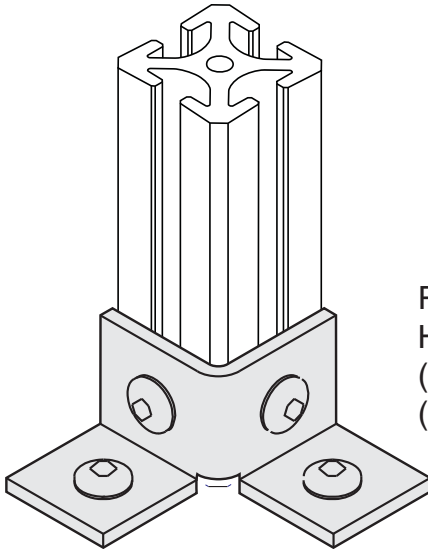
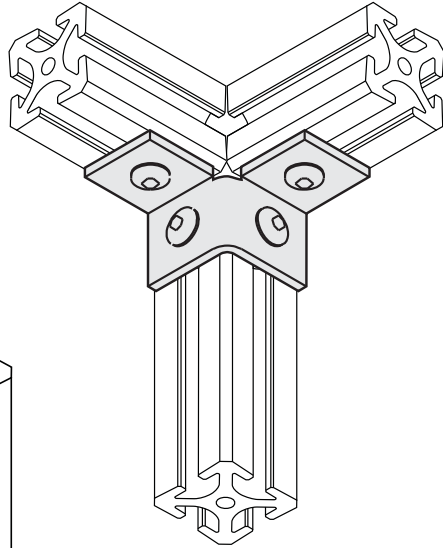
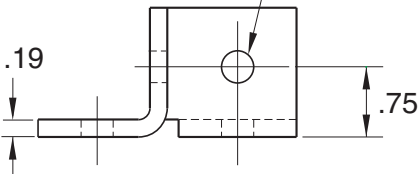
Steel Double Angle Bracket



EB-17



.343 Dia.
Thru (4)



Recommended
Hardware
(4) EF-12-.63 BHCS
(4) EF-2 T-nut

Material - Steel
Finish - Zinc Plated

5/16" SLOTS