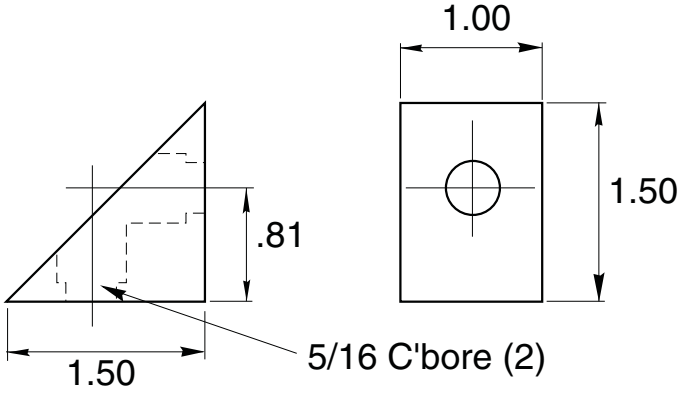


Corner Gusset
(used with EX-52 and EX-54)

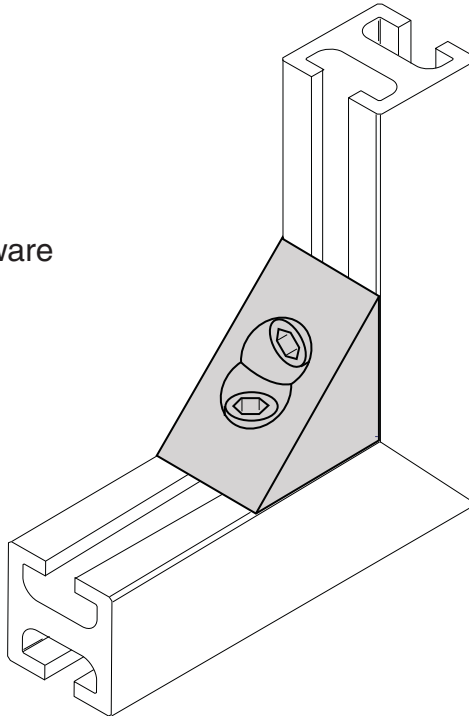


EB-20

5/16" SLOTS



Recommended Hardware
(4) EF-11-.63 SHCS
(4) EF-2 T-nut



Material - Aluminum
Finish - Clear Anodize