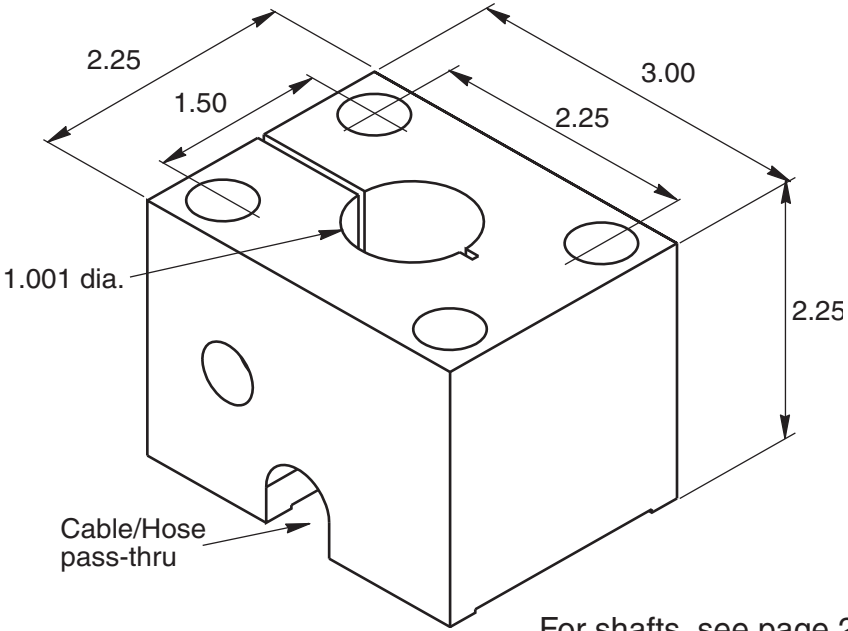


# Single Shaft Base



<b>EB-200</b>	<b>with locking handle</b>
<b>EB-201</b>	<b>with locking 5/16 SHCS</b>

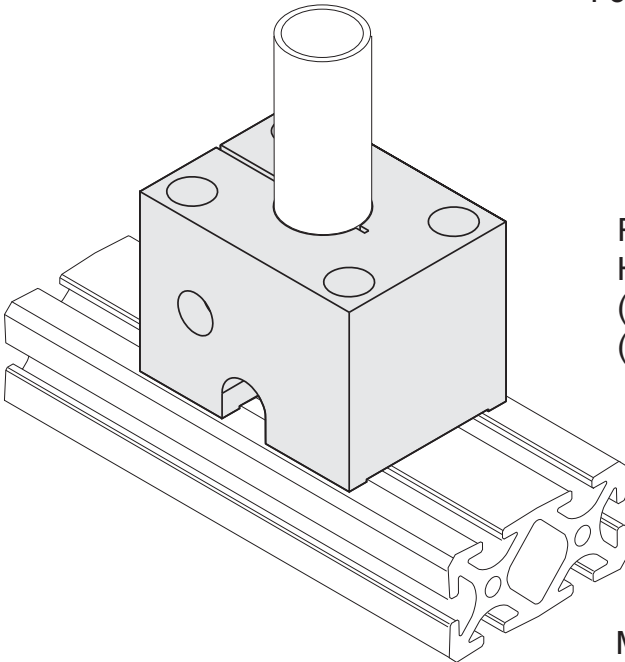
5/16" SLOTS



For shafts, see page 275.

**EX-2, EX-67,  
EX-3, EX-37**

Recommended  
Hardware  
(4) EF-11-1.75 SHCS  
(4) EF-55 T-nut



Material - Aluminum  
Finish - Clear Anodize