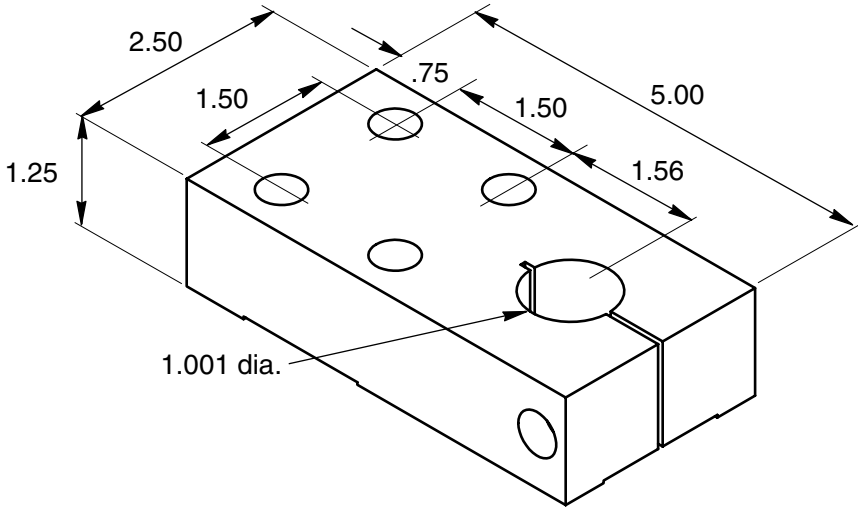


Single Shaft Mounting Plate

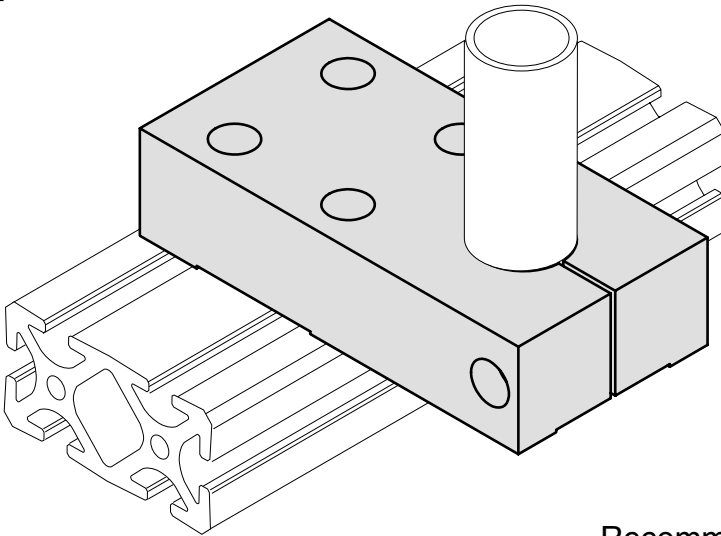


- EB-204** with locking handle
- EB-205** with locking 5/16 SHCS



5/16" SLOTS

For shafts, see page 267



EX-2, EX-67, EX-3

Material - Aluminum
 Finish - Clear Anodize

Recommended
 Hardware
 (4) EF-11-1.0 SHCS
 (4) EF-55 T-nut