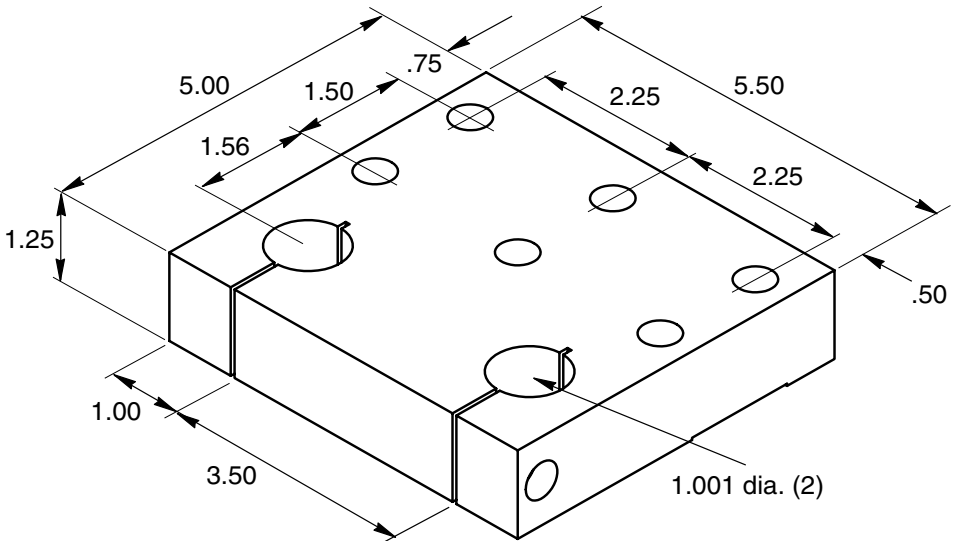




Double Shaft Mounting Plate

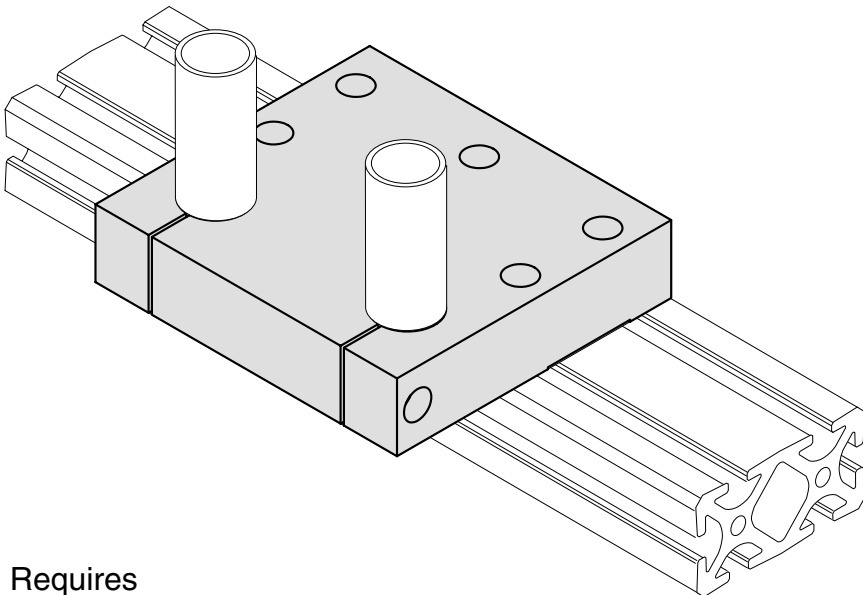
with locking handle **EB-206**
 with locking 5/16 SHCS **EB-207**



5/16" SLOTS

EX-2, EX-67, EX-3

For shafts, see page 267.



Requires
 (6) EF-11-1.0 SHCS
 (6) EF-55 T-nut

Material - Aluminum
 Finish - Clear Anodize