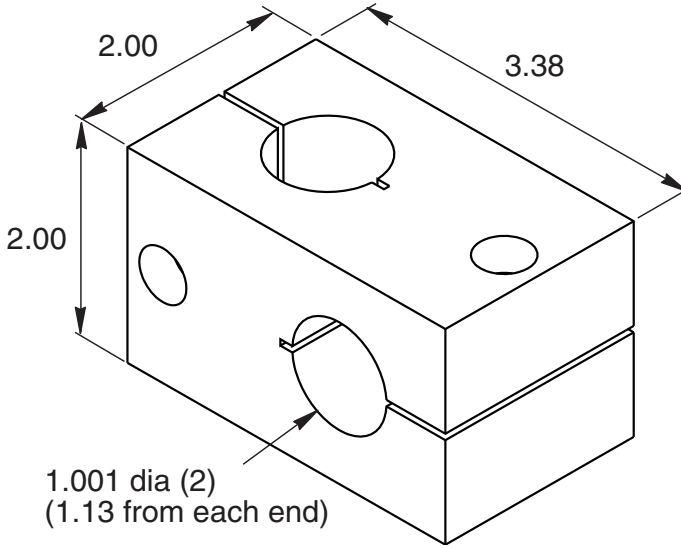


# Cross Clamp

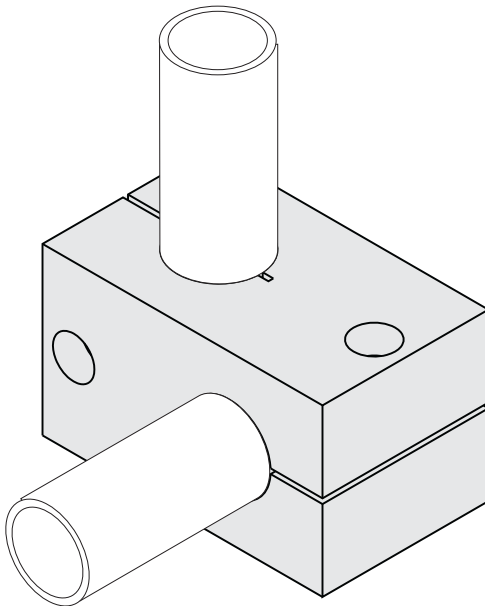


<b>EB-208</b>	with locking handle
<b>EB-209</b>	with locking 5/16 SHCS

5/16" SLOTS



For shafts, see page 275.



Material - Aluminum  
Finish - Clear Anodize